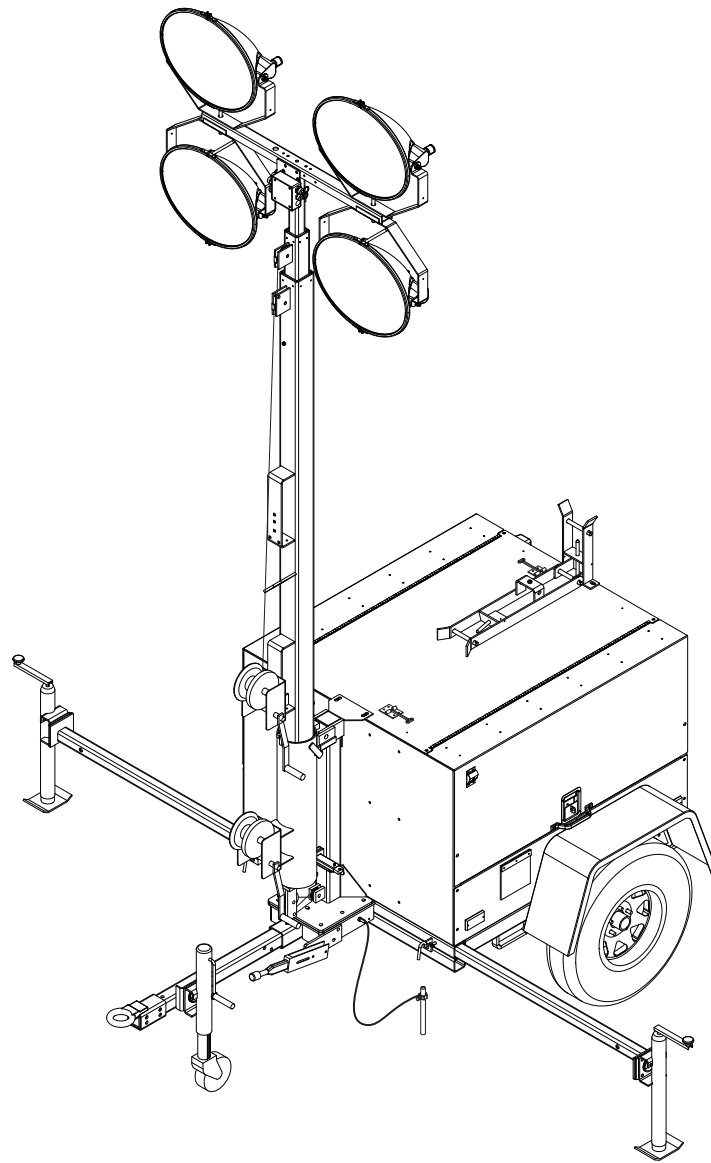




LIGHT CART
MLC4062AF



PARTS MANUAL

INTRODUCTION

Before servicing this machine, make sure the engine start switch is turned to off "O", the circuit breakers are open (off, "O"), and the negative (-) terminal on battery is disconnected. Attach a "DO NOT START" sign to the control panel. This will notify everyone that the unit is being serviced and will reduce the chance of someone inadvertently trying to start the unit.

▲ WARNING

Before operating or servicing this equipment, read and understand the Magnum Operating Manual which was included with the unit when shipped from the factory. Failure to do so increases the risk of injury to yourself or others.

MAGNUM PRODUCTS LLC
215 Power Drive • Berlin, WI 54923
U.S.A.
Phone: 920-361-4442
FAX: 920-361-4416
Toll Free: 1-800-926-9768
www.m-p-llc.com

For technical or parts QUESTIONS, please contact Magnum Products' Customer Support or Technical Support team at 920-361-4442 or toll free at 1-800-926-9768. Please have your serial number available.

To ORDER SERVICE PARTS, please contact the dealer from which you purchased the unit, or call Magnum Products to locate a dealer in your area.

Engine Make: _____
Engine Serial Number: _____
Engine Model Number: _____
Generator Make: _____
Generator Model Number: _____
Generator Serial Number: _____
Unit Model Number: _____
Unit Serial Number: _____

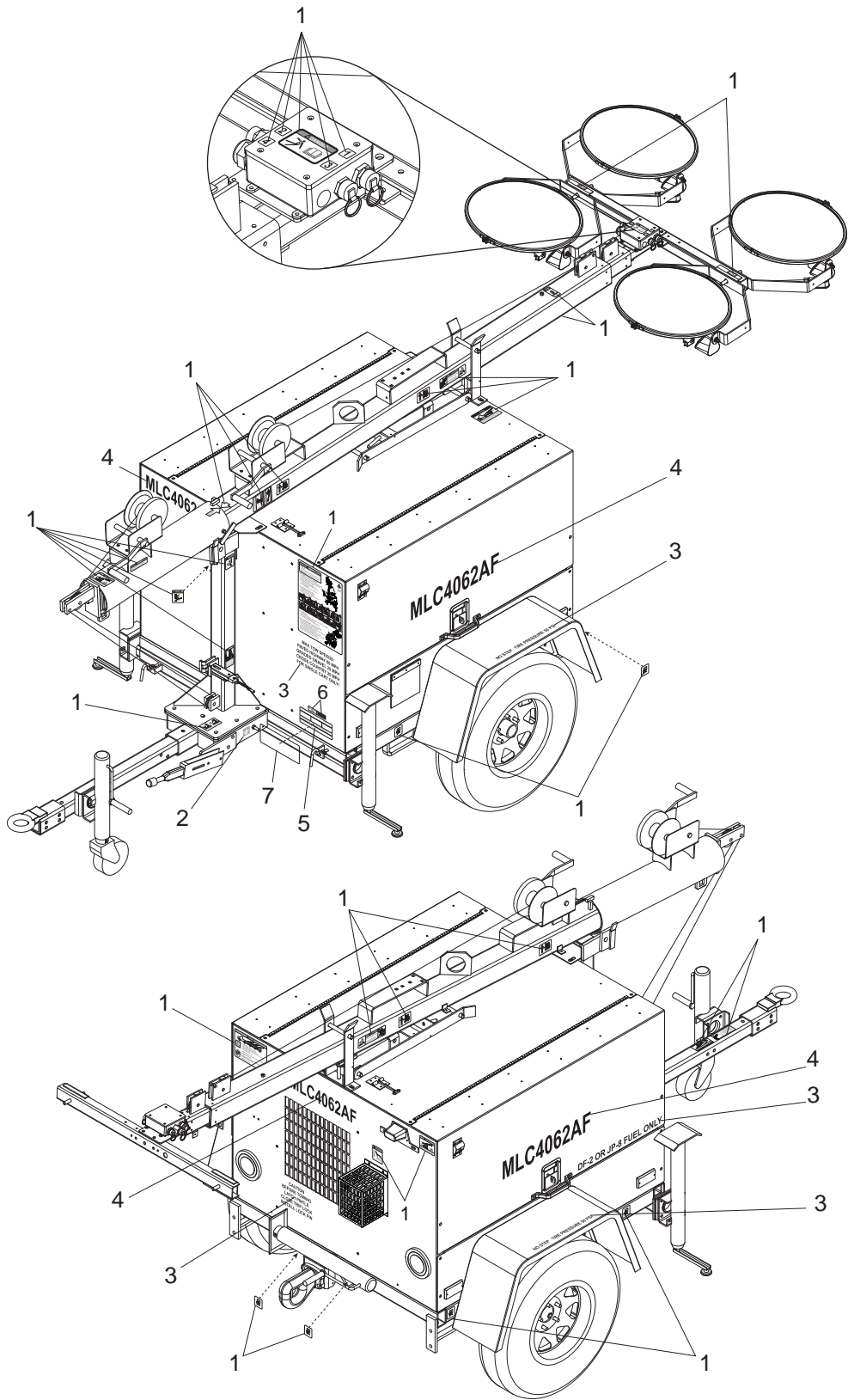
▲ WARNING

CALIFORNIA PROPOSITION 65 WARNING:
Diesel engine exhaust and some of its constituents are known to the state of California to cause cancer, birth defects and other reproductive harm.

TABLE OF CONTENTS

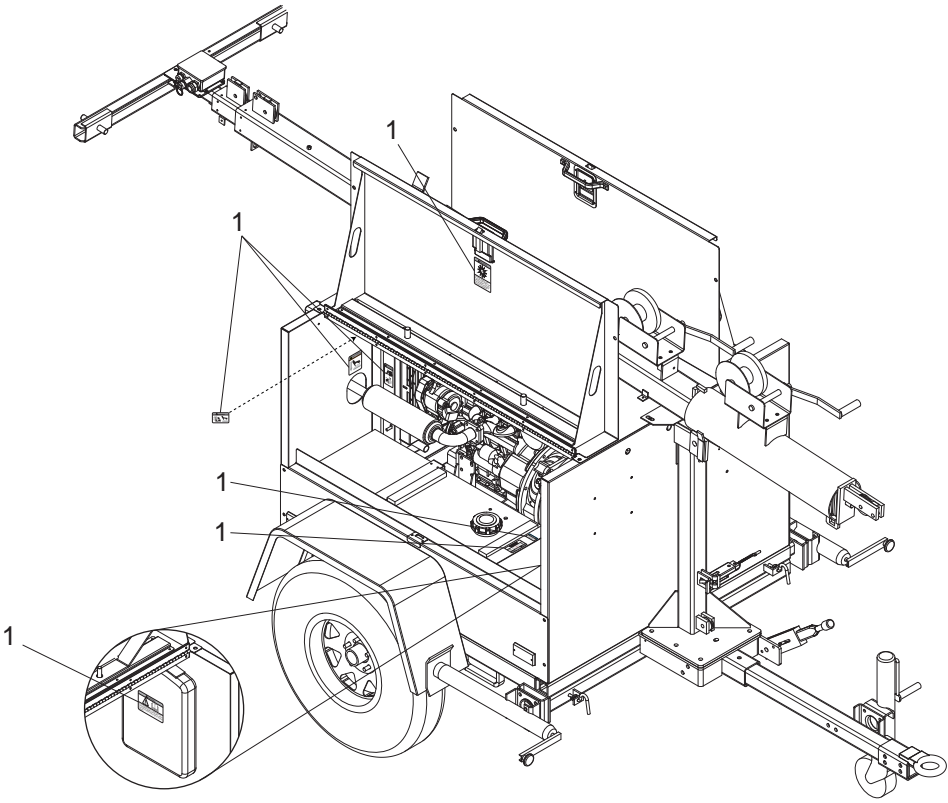
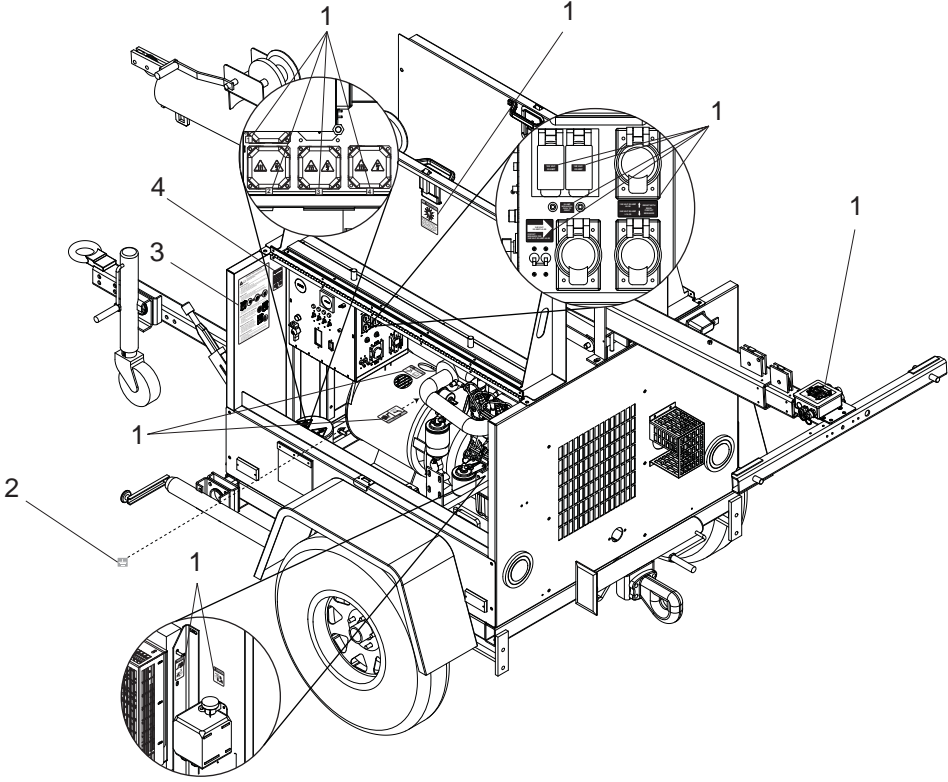
	Page
INTRODUCTION	2
TABLE OF CONTENTS	3
EXTERIOR DECALS	4 - 5
INTERIOR DECALS	6 - 7
MAST LIGHT ASSEMBLY	8 - 9
REAR PANEL ASSEMBLY	10 - 11
FRONT PANEL ASSEMBLY	12 - 13
SIDE PANEL ASSEMBLIES	14 - 15
ROOF PANEL ASSEMBLY	16 - 17
DOOR PANEL ASSEMBLY	18 - 19
CONTROL PANEL ASSEMBLY	20 - 21
CONTROL BOX ASSEMBLY	22 - 23
MAST JUNCTION BOX ASSEMBLY	24 - 25
MAIN MAST ASSEMBLY	26 - 27
MAST TUBE ASSEMBLY	28 - 29
MAST POST ASSEMBLY	30 - 31
FRAME ASSEMBLY	32 - 33
AXLE ASSEMBLY	34 - 35
CHASSIS ASSEMBLY	36 - 37
COOLING SYSTEM ASSEMBLY	38 - 39
FUEL TANK AND FILTER ASSEMBLY	40 - 41
ENGINE ASSEMBLY	42 - 43
GENERATOR ASSEMBLY	44 - 45

EXTERIOR DECALS



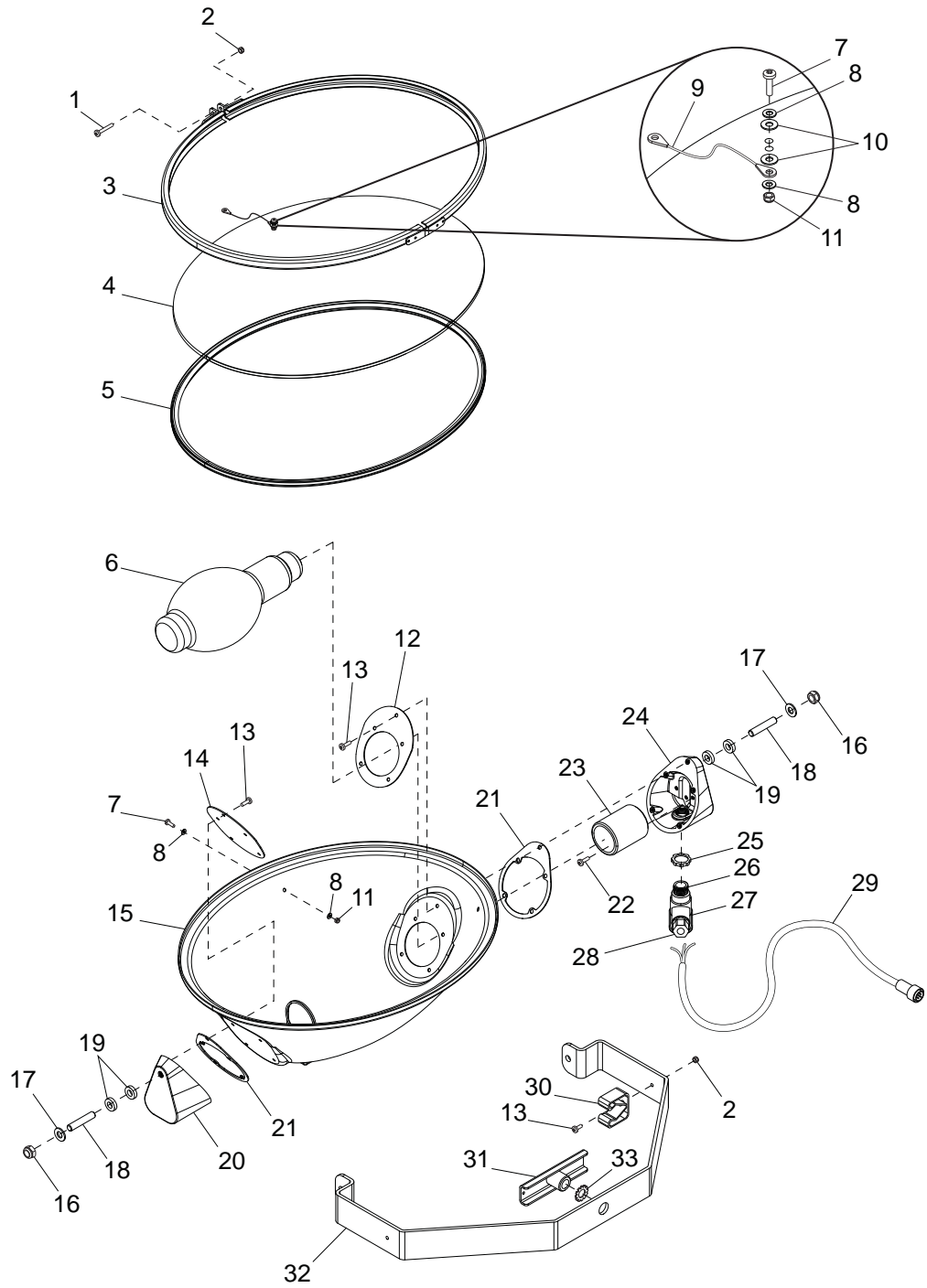
ITEM	PART	QTY	DESCRIPTION	NOTES
1	13439	1	DECAL SET, MLC4062AF Safety/Ops	
2	12142	1	DECAL, Ground	
3	13440	1	DECAL, No Step/Tire Press/Fuel	
4	13441	2	DECAL, Number MLC4062AF	
5	50290	1	LABEL, Laser - for VIN Tag	
6	90082	1	LABEL, Stock - 2.50 x 7.00 Set	
7	50291	1	OVERLAY, Clear UV	

INTERIOR DECALS



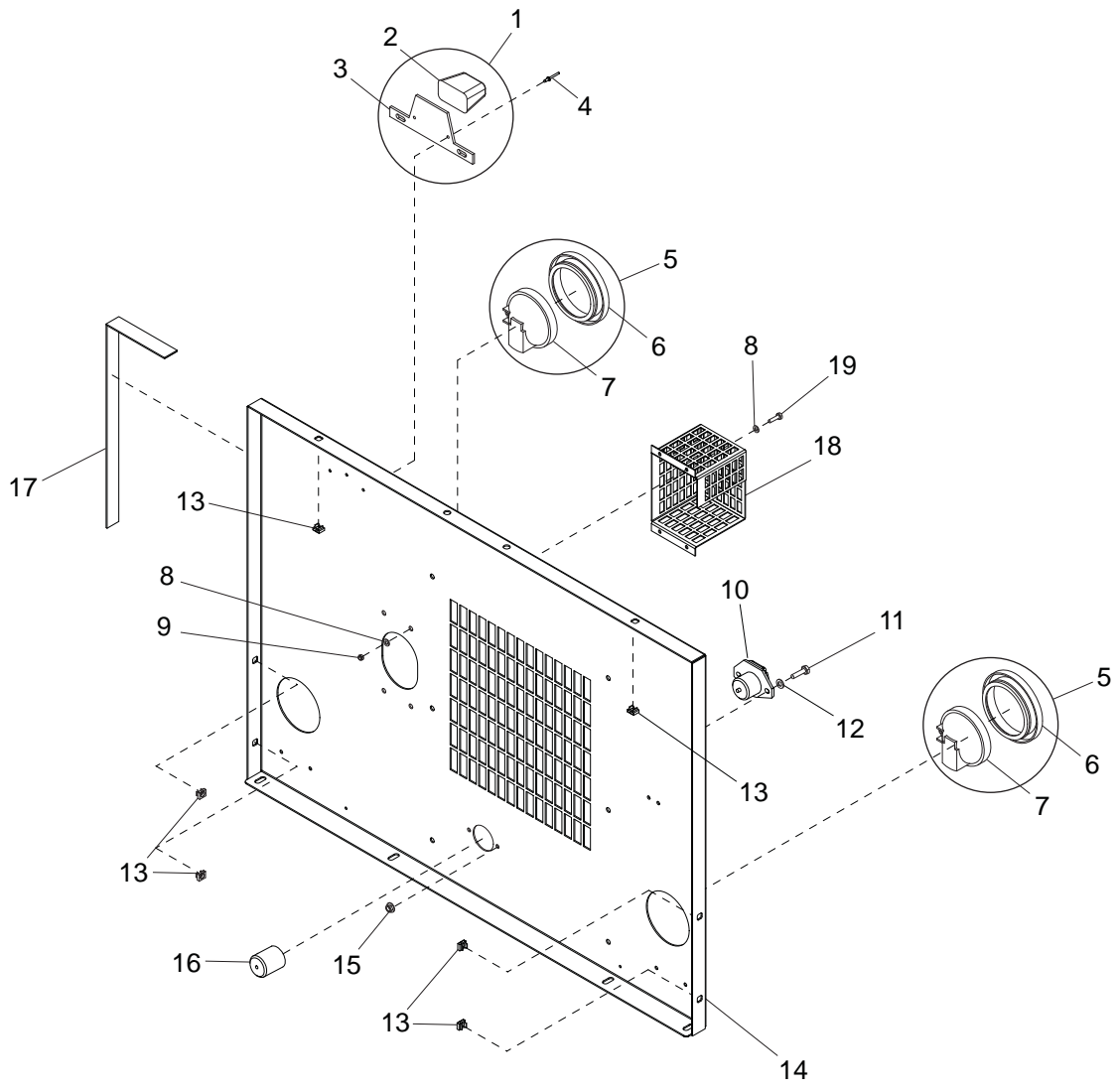
ITEM	PART	QTY	DESCRIPTION	NOTES
1	13439	1	DECAL SET, MLC4062AF Safety/Ops	
2	12142	1	DECAL, Ground	
3	10672	1	DECAL, Control Panel Ops - MLC4062AF	
4	90082	1	LABEL, Stock - 2.50 x 7.00 Set	

MAST LIGHT ASSEMBLY



ITEM	PART	QTY	DESCRIPTION	NOTES
1	60304	1	SCREW, M5-.080X25 Pan HD Phillips	
2	60447	2	NUT, M5 Nylk SS	
3	13367	1	ASSEMBLY, Aluminum Ring Oval	
4	13369	1	LENS, Glass Oval	
5	13373	1	GASKET, Lens Oval	
6	11391	1	BULB, 1000W MH, Short Length	
7	13399	2	SCREW, M4X18 Phil	
8	60067	4	WASHER, #10, Flat SS	
9	13370	2	ASSEMBLY, Tether Oval Light	
10	13372	2	WASHER, #4 Nylon	
11	60051	2	NUT, Nylk M4 Grd 8	
12	13376	1	BRACKET, Socket End Plate	
13	13388	11	SCREW, M5X12 Slotted Hex Flng	
14	13377	1	BRACKET, Non-Socket End Plate	
15	13366	1	HOUSING ASSEMBLY, Oval Light	
16	60307	2	NUT, Nylk .500-13 Grd 5	
17	60309	2	WASHER, Flat .500	
18	13392	2	STUD, Trunnion Mounting Oval Light	
19	13390	4	WASHER, Nylon Oval Light	For P# 13392
20	13374	1	SUPPORT, Housing/Trunnion	
21	13378	2	GASKET, Silicone Oval Light	For P# 13376 & 13377
22	13393	2	SCREW, M5X12 Phil	
23	13381	1	SOCKET, Bulb - E9 Oval Light	
24	13375	1	SUPPORT, Housing / Trunnion	
25	15861	1	NUT, .500 NPT Special Lock	
26	13386	1	FITTING, Nipple .500 Oval Light	
27	13387	1	CONNECTOR, Weather Tight	
28	15864	1	STRAIN RELIEF, .50 NPT Weathertight	
29	13383	1	CORD, Power Quick Disc. Oval	
30	19041	1	CLIP, Spring Holder	
31	13403	1	HANDLE, T	Wingnut
32	13368	1	TRUNNION, Oval Light	
33	61174	1	WASHER, .750 Ext. Star ZC	

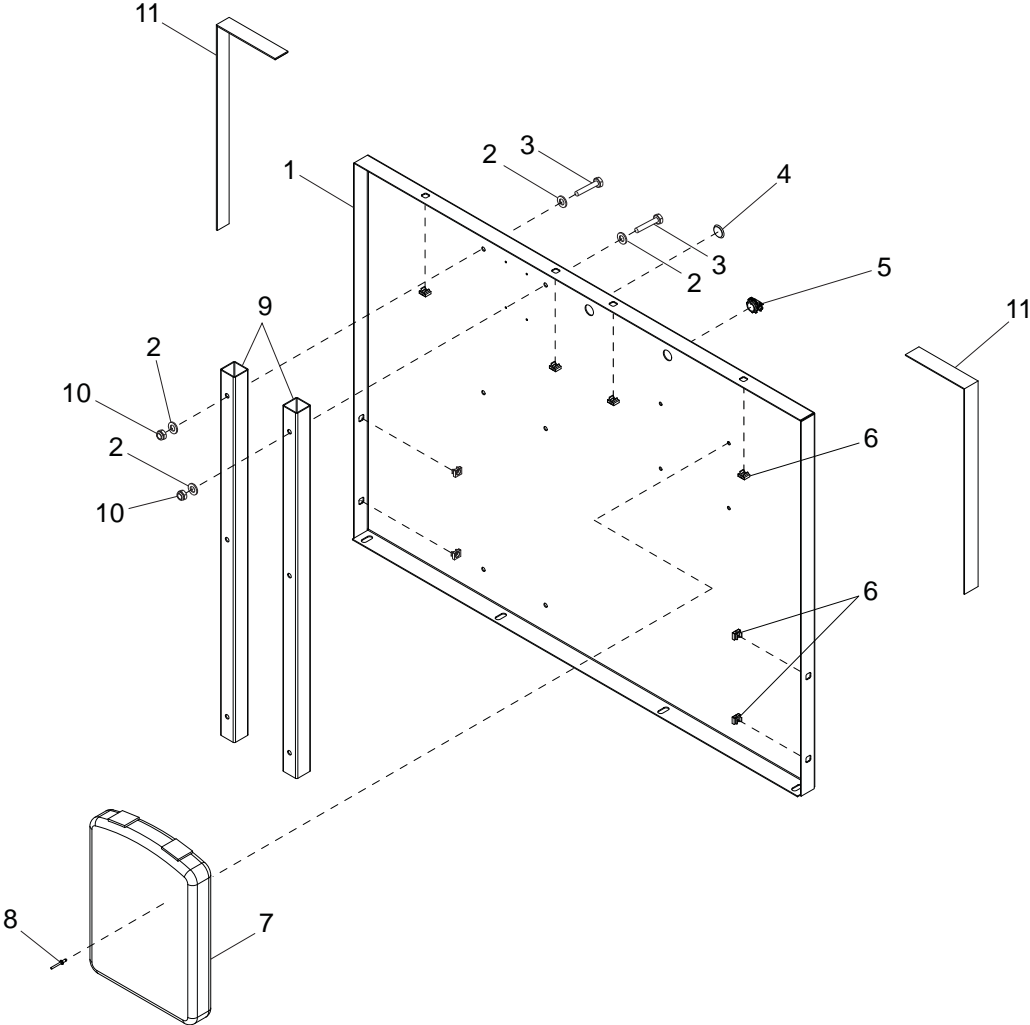
REAR PANEL ASSEMBLY



ITEM	PART	QTY	DESCRIPTION	NOTES
1	10223	1	ASSY, License Plate Light/Holder	
2	10225	1	LIGHT, License Bracket	
3	10224	1	BRACKET, License Plate	
4	60423	2	RIVET .188X.250	
5	10219	2	ASSEMBLY, Rear Tail/Turn w/Grommet	
6	10221	2	GROMMET, Rear Light 4/5"	
7	10220	2	LIGHT, Rear Tail / Turn w/o Grommet	
8	60696	8	WASHER, .250 Flat .625/.050 18-8 SS	
9	60144	4	NUT, .250-20 Nylock G5 ZC	
10	15811	1	RECEPTACLE, Trailer Lights	
11	60507	2	SCREW, Hex .312-18X1.00 SS	
12	60340	2	WASHER, Flat .312 SS	
13	60657	6	NUT, Cage .375-16 For 12 Ga.	
14	13272AF*	1	PANEL, End - Radiator	Rear
15	60303	2	NUT, .312-18 Nylk Grd 5	
16	66050	1	Boot, Rubber	
17	50197	2	WEATHER STRIPPING, .06X1.00X30"	
18	13842AF*	1	GUARD, Tail Pipe	
19	60684	4	SCREW, .250-20X.875 Hex 18-8 SS	

* AF = Gray
 AFG = Green
 AFT = Tan

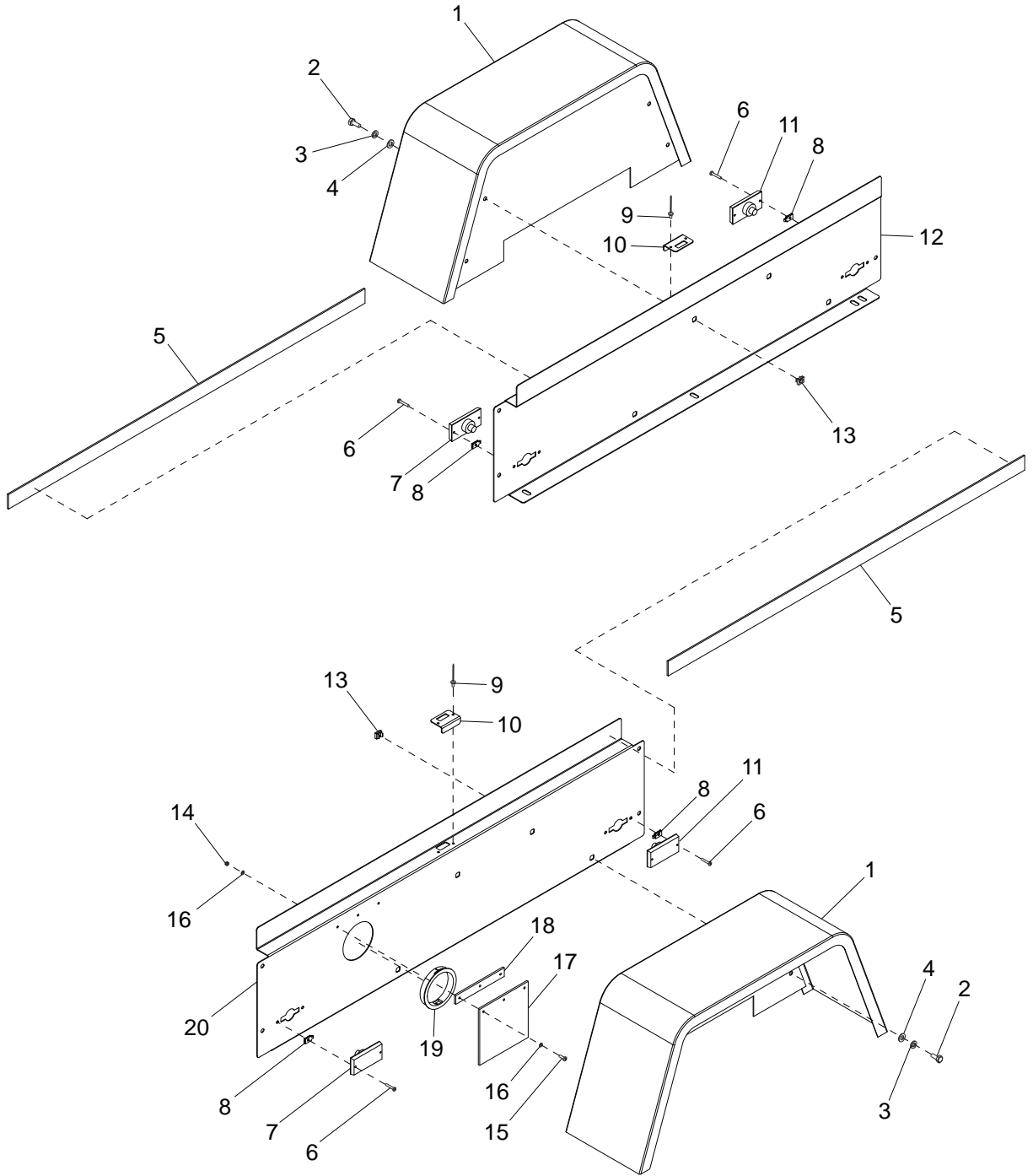
FRONT PANEL ASSEMBLY



ITEM	PART	QTY	DESCRIPTION	NOTES
1	13273AF*	1	PANEL, End - Control Box (Front)	
2	60340	12	WASHER, Flat .312 SS	
3	60782	6	SCREW, Hex .312-18X2.50 SS	
4	62219	1	PLUG, (Hole) Black - 1.094	
5	14202	1	STRAIN Relief, .375 Romex w/nut	
6	60656	8	NUT, Cage .375-16 For 14 Ga.	
7	24540	1	HOLDER, Manual Plastic	
8	60231	4	RIVET .188 dia X .375 to .500 grip	
9	13309B	2	TUBE, Control Box Spacer	
10	60303	6	NUT, .312-18 Nylk Grd 5	
11	50197	4	WEATHER STRIPPING, .06x1.00x30"	

* AF = Gray
 AFG = Green
 AFT = Tan

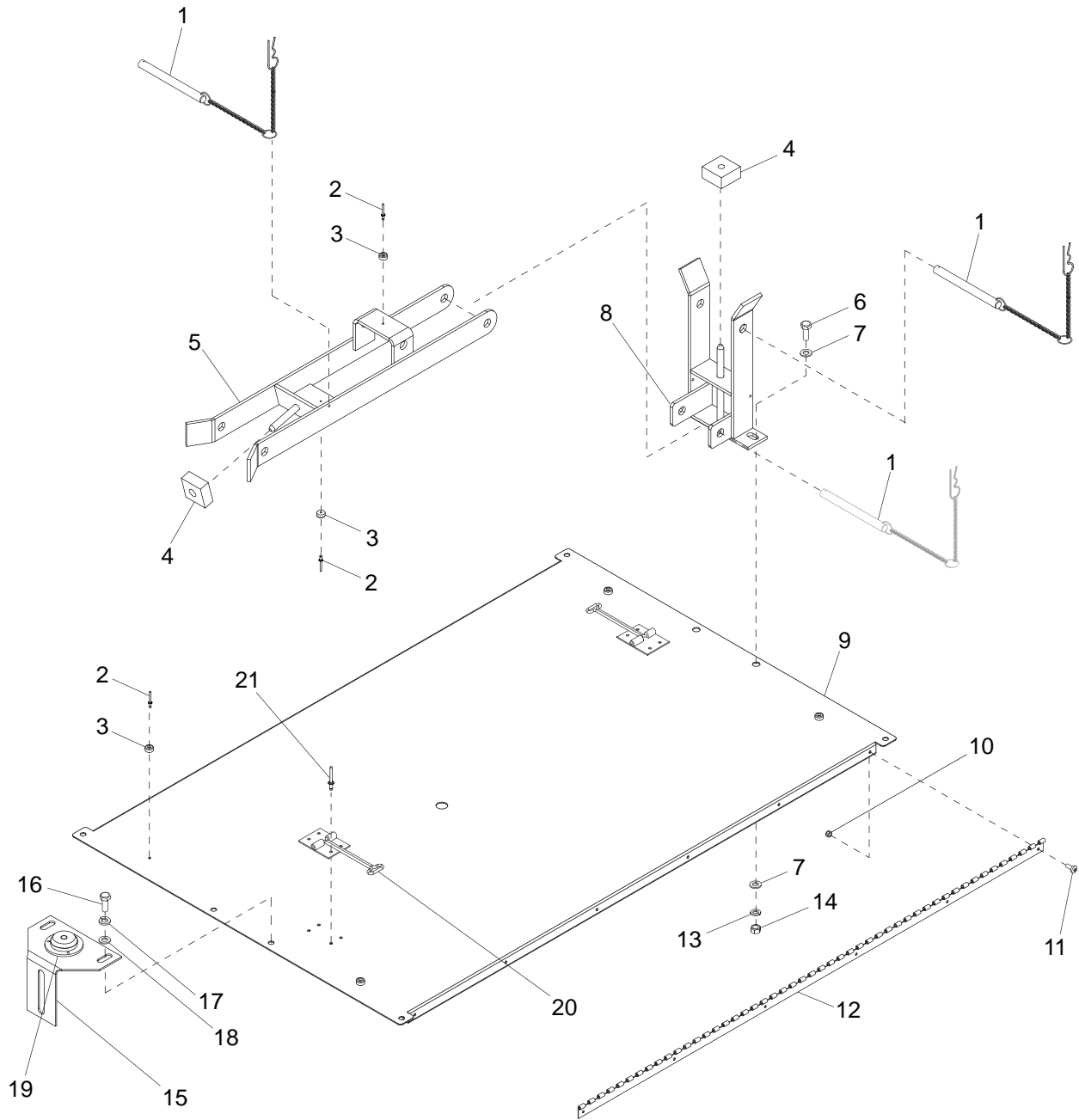
SIDE PANEL ASSEMBLIES



ITEM	PART	QTY	DESCRIPTION	NOTES
1	22743AF*	2	FENDER, Single Wheel	
2	60690	8	SCREW, .375-16X1.00 Std Hex 18-8 SS	
3	60703	8	WASHER, Lock .375 SS	
4	60698	8	WASHER, .375 flat .875/.040 18-8 SS	
5	50197	2	WEATHER-STRIPPING, .06X1.00x48"	
6	60694	8	SCREW, 8-32X.750 pan philp ss	
7	65407	2	LIGHT ASSY, Amber Clearance	
8	60730	8	NUT, 8-32 U-clip G5	
9	60268	4	RIVET, .188 dia X .126 to .250 Grip	
10	13291	2	PLATE, Striker	
11	65406	2	LIGHT ASSY, Red Clearance	
12	13276AF*	1	PANEL, SIDE - Right Hand	
13	60656	8	NUT, .375-16 Cage, for 14 GA	
14	60061	3	NUT, 10-32 Nylk G5	
15	61180	3	SCREW, 10-32X.750 Pan Phil 18-8 SS	
16	60067	6	WASHER, #10 Flat .435/.060 SS	
17	15692	1	DOOR, Rubber	
18	15531B	1	CLAMP, Neoprene	
19	19578	1	FITTING, Bushing 4.00ODX3.437ID	
20	13277AF*	1	PANEL, Side - Left Hand	

* AF = Gray
 AFG = Green
 AFT = Tan

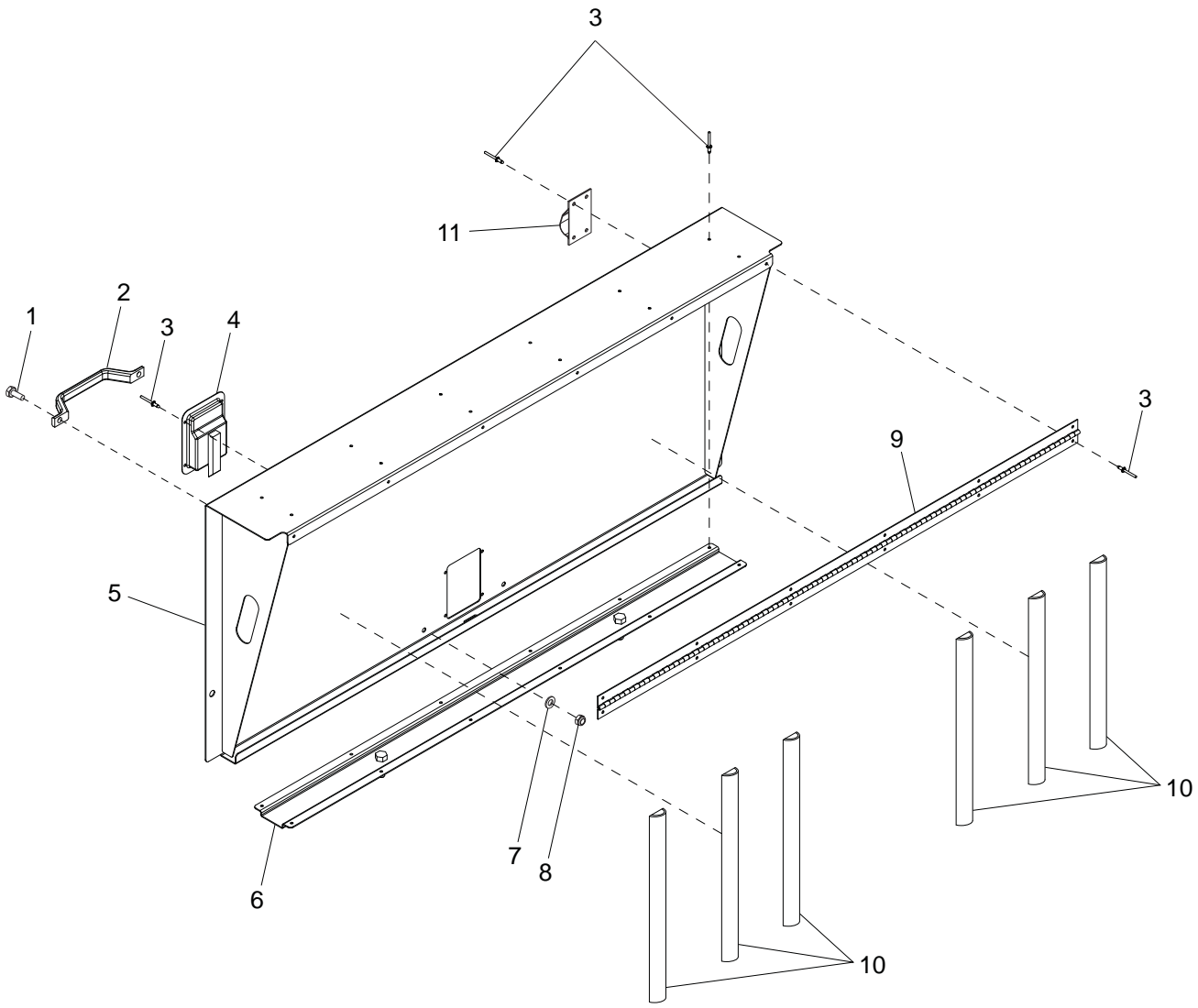
ROOF PANEL ASSEMBLY



ITEM	PART	QTY	DESCRIPTION	NOTES
1	16099	2	ASSEMBLY, Cradle Pin	
2	60662	6	RIVET, .156 dia X .375 to .500 Grip Alum	
3	15215	6	BUMPER, Rubber	
4	11935	2	PAD, Rubber 2.00x2.00x1.00	
5	13328Z	1	WELDMENT, Cradle Tandem Tow	
6	60683	2	SCREW, .500-13X1.500 std hex 18-8 SS	
7	60700	4	WASHER, Flat .500 SS	
8	12344Z	1	WELDMENT, Cradle Tow	
9	13274AF*	1	PANEL, Top	
10	60061	12	NUT, Nlyk 10-32 Grd 5	
11	60398	12	SCREW, Pan, Phil 10-32X.500 SS	
12	Page 18	2	HINGE	
13	60307	2	NUT, .500-13 Nylock	
14	14433	1	LEVEL, Eye	
15	13552B	1	BRACKET, Door Adjustment	
16	60690	2	SCREW, Hex .375-16X1.00	
17	60703	2	WASHER, Lock .375 SS	
18	60698	2	WASHER, Flat .375 SS	
19	60861	1	PLUG, Hole .875 Dia. Black	
20	12605	2	LATCH, Door SS - T Style	
21	60423	8	RIVET, .188 Dia. x .126 to .250 SS	

* AF = Gray
 AFG = Green
 AFT = Tan

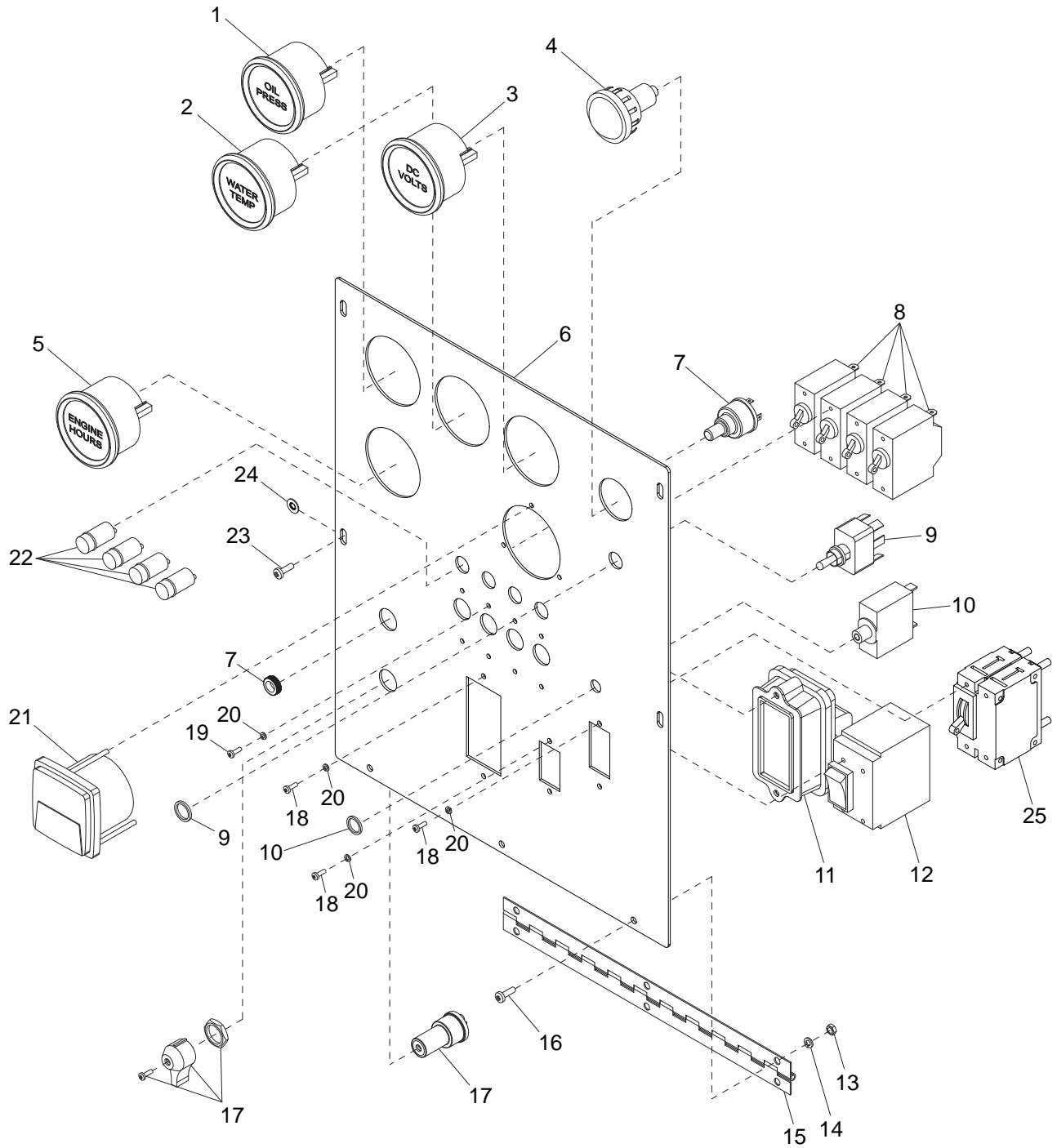
DOOR PANEL ASSEMBLY



ITEM	PART	QTY	DESCRIPTION	NOTES
1	60507	2	SCREW, Hex .312-18X1.00, SS	
2	26288	1	HANDLE, Front Hood Access - Black	
3	60423	26	RIVET, .188 DIA.X.126 to .250 SS	
4	15123	1	LATCH, Paddle	
5	13295AF*	2	DOOR WELDMENT	
6	13297AF*	1	CHANNEL, Light Storage	
7	60340	2	WASHER, Flat.312, SS	
8	60303	2	NUT, .312-18 Nylk	
9	16598	1	HINGE, Door 48.5 In.	
10	50354	6	SEAL, Rubber -Bubble Type (.750), 18"	
11	12605	1	LATCH, Door SS - T Style	

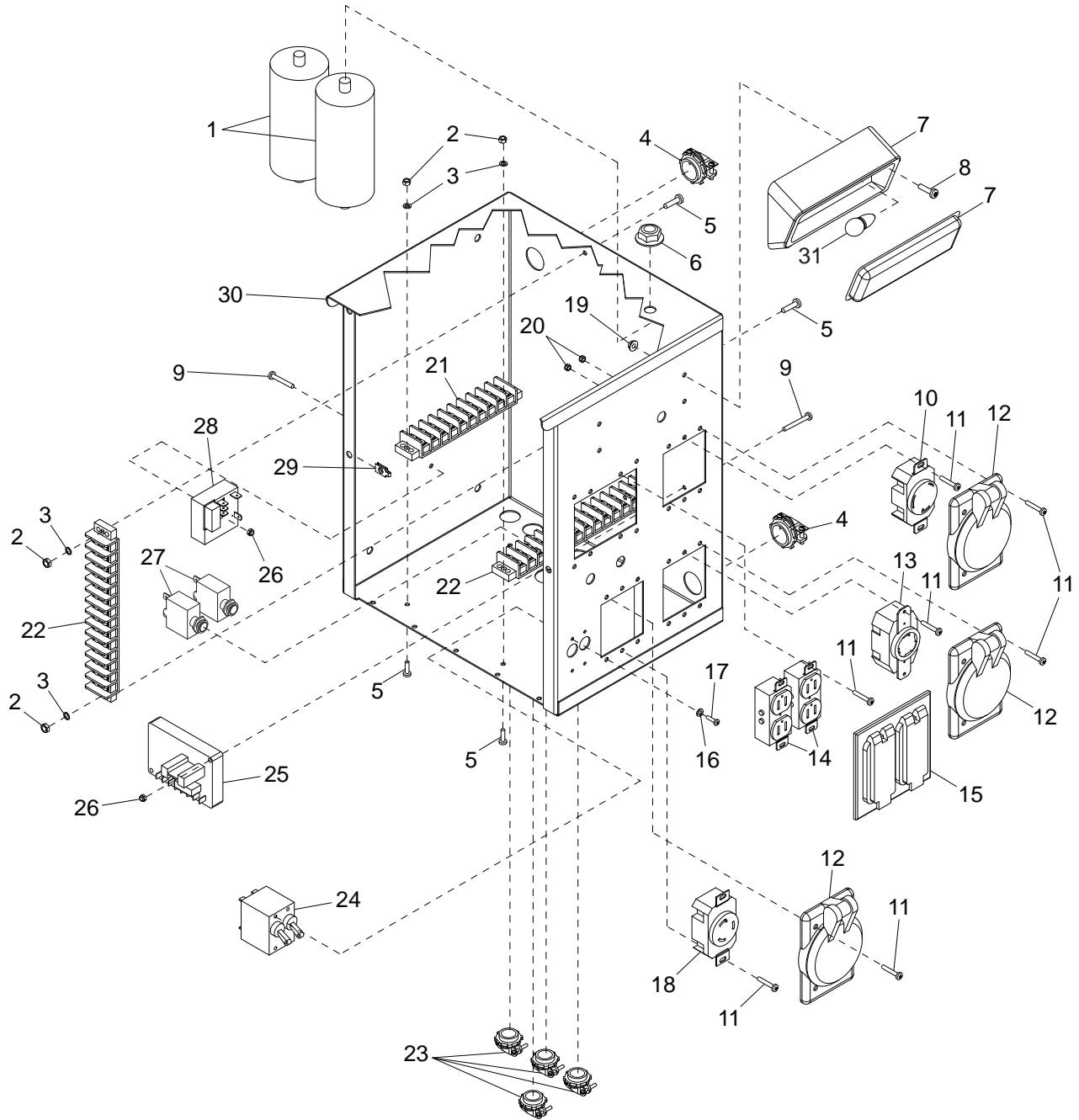
* AF = Gray
 AFG = Green
 AFT = Tan

CONTROL PANEL ASSEMBLY



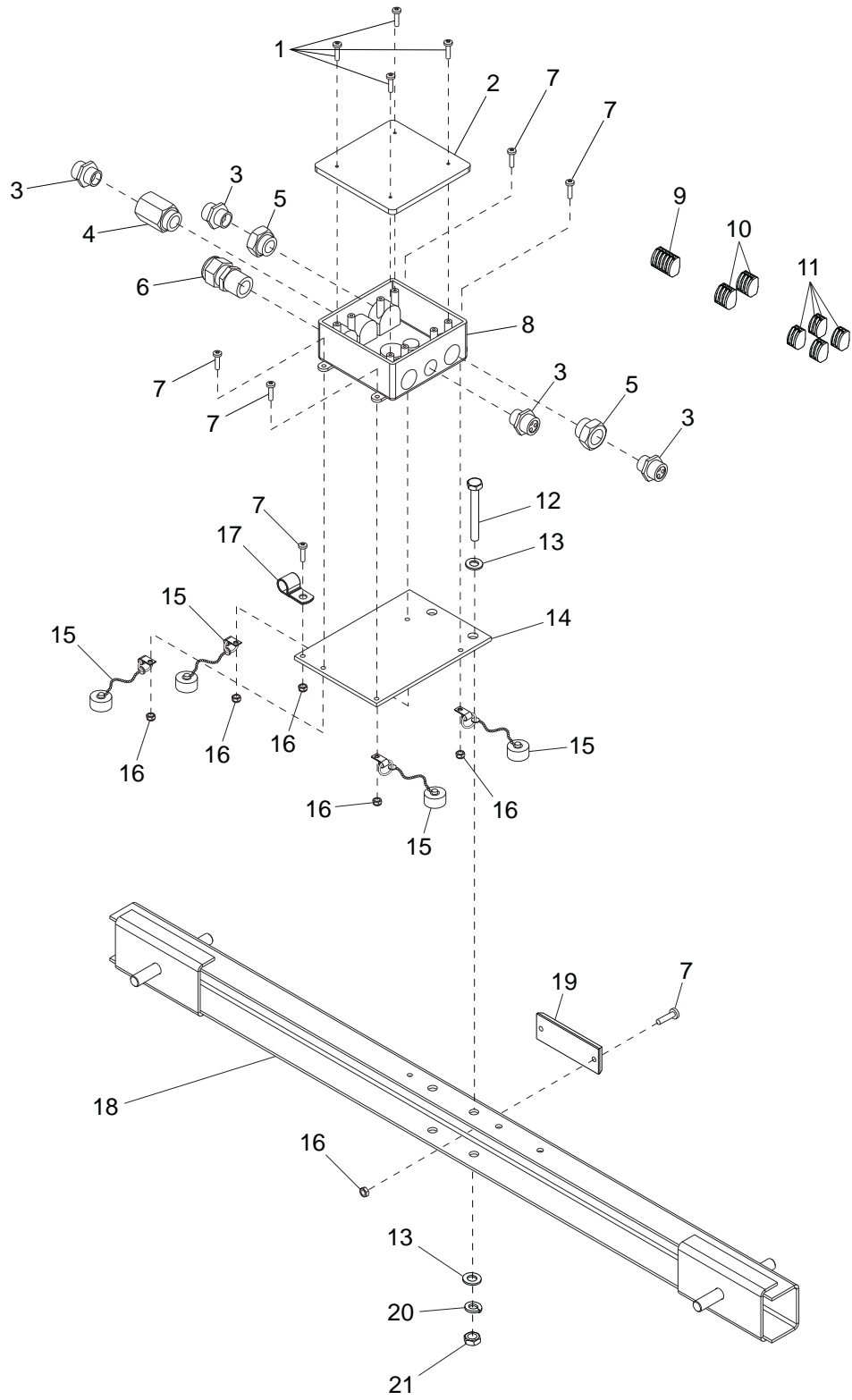
ITEM	PART	QTY	DESCRIPTION	NOTES
1	65628	1	GAUGE, Oil Pressure w/Light	
2	65629	1	GAUGE, Coolant Temperature w/Light	
3	65630	1	GAUGE, Voltmeter - DC w/Light (10-16V)	
4	19207	1	LIGHT ASSEMBLY	
5	15085	1	GAUGE, Hourmeter	
6	10731	1	CONTROL PANEL	
7	11784	1	SWITCH, Push Button Glow Plug	
8	14249	4	BREAKER, 15A 250V 1 Pole	
9	25077	1	SWITCH, Toggle	
10	66020	1	BREAKER, 30A 1 Pole	
11	65886	1	MODULE, GFI Sensing	
12	66387	1	BREAKER, 40A 240V	
13	14231	5	NUT, Hex 10-32 Grd 5	
14	60252	5	WASHER, Lock #10	
15	10081	1	HINGE, Continuous 11"	
16	60277	5	SCREW, Pan 10-32X.500 Phil	
17	11783	1	SWITCH, Ignition, 3 Position	
18	60181	6	SCREW, Pan M3-0.50X5 Phil	
19	60405	8	SCREW, Pan 6-32X.250 Phil	
20	60058	10	WASHER, Lock # 6	
21	11593	1	GAUGE, Voltmeter - AC	
22	65325	4	LIGHT, Indicator Green	
23	61149	4	SCREW, Captive	
24	61151	4	WASHER, Retaining	
25	65963	1	BREAKER, 30A, 250V, 2 Pole	

CONTROL BOX ASSEMBLY



ITEM	PART	QTY	DESCRIPTION	NOTES
1	65959	2	CAPACITOR, Dual, Sealed	
2	14231	6	NUT, Hex 10-32 Grd 5	
3	60252	6	WASHER, Split #10	
4	14219	2	STRAIN RELIEF, .750 Romex	
5	60062	6	SCREW, Pan 10-32X.750 Phil	
6	60098	2	NUT, Flange .500-13	
7	66019	1	LIGHT, w/o Switch	
8	60398	4	SCREW, Pan 10-32X.500 Phil SS	
9	60396	3	SCREW, Pan 10-32X1.250 Phil	
10	65487	1	RECEPTACLE, 120V/30A Twist	
11	60046	22	SCREW, Pan 6-32X.750 Phil	
12	65460	3	COVER, Receptacle Weatherproof	
13	65488	1	RECEPTACLE, 240V/30A Twist	
14	65888	2	RECEPTACLE, 120V/20A Duplex	
15	66018	1	COVER, Dual Duplex, Weatherproof	
16	60058	4	WASHER, Lock #6	
17	60405	4	SCREW, Pan 6-32X.250 Phil	
18	15933	1	RECEPTACLE - 240V 20A Twist	
19	61045	4	NUT, Flg 10-32 Grd 5	
20	60728	22	NUT, Nylk 6-32 Grd 5	
21	14203	1	BLOCK, Terminal 10 Pos.	
22	66013	2	BLOCK, Terminal 14 Pos.	
23	14202	4	STRAIN RELIEF, .375 Romex	
24	65852	1	BREAKER, 20A, 250V, 2 Pole	
25	10519	1	Regulator, voltage, SE350	
26	60061	3	NUT, Nylk 10-32 Grd 5	
27	65872	2	BREAKER, 20A,240V, 1 Pole Push Button	
28	14201	1	RELAY, Time Delay 12VDC	
29	61150	4	NUT, Captive Clip	
30	13284B	1	BOX, Control	
31	27597	1	BULB, Light	

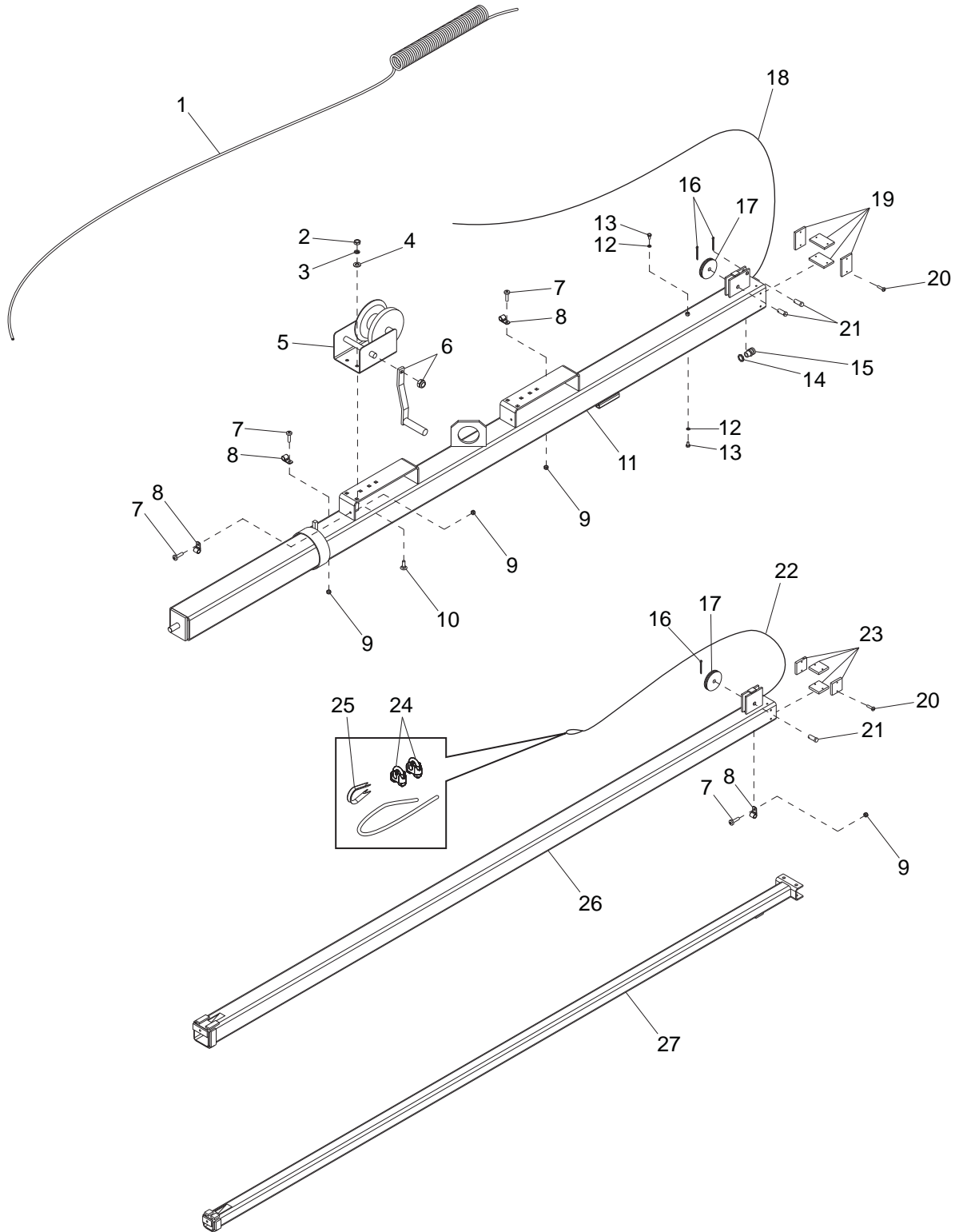
MAST JUNCTION BOX ASSEMBLY



ITEM	PART	QTY	DESCRIPTION	NOTES
1	60424	4	SCREW, Pan 6-32x.750 Phil	
2	12109	1	BOX, Cover 2 Gang Plastic	
3	15403	4	CONNECTOR, QD Female	
4	12713	1	FITTING, Adapter .500X.500	
5	60755	2	FITTING, .750X.500	
6	14656	1	STRAIN, Relief .750 Water Tight	
7	60540	7	SCREW, Pan 10-32x.750 Phil SS	
8	10294	1	BOX, Junction	
9	66102	1	CONNECTOR, 5 Pos Wago	
10	66101	2	CONNECTOR, 3 Pos Wago	
11	66100	4	CONNECTOR, 2 Pos Wago	
12	61999	2	SCREW, .375-16X3.500 Std Hex 18-8 SS	
13	60698	4	WASHER, Flat .375 SS	
14	12095B	1	BRACKET, Junction Box	
15	12410	4	ASSY, QD Recpt. Cap w/Chain	
16	60061	7	NUT, Nylk 10-32	
17	16143	1	CLAMP, Tubing .500	
18	13527AF*	1	WELDMENT, Mast Crossbar 3/4" Studs	
19	15829	1	REFLECTOR - Red	
20	60703	2	WASHER, Lock .375 SS	
21	60140	2	NUT, Hex .375-16	

* AF = Gray
 AFG = Green
 AFT = Tan

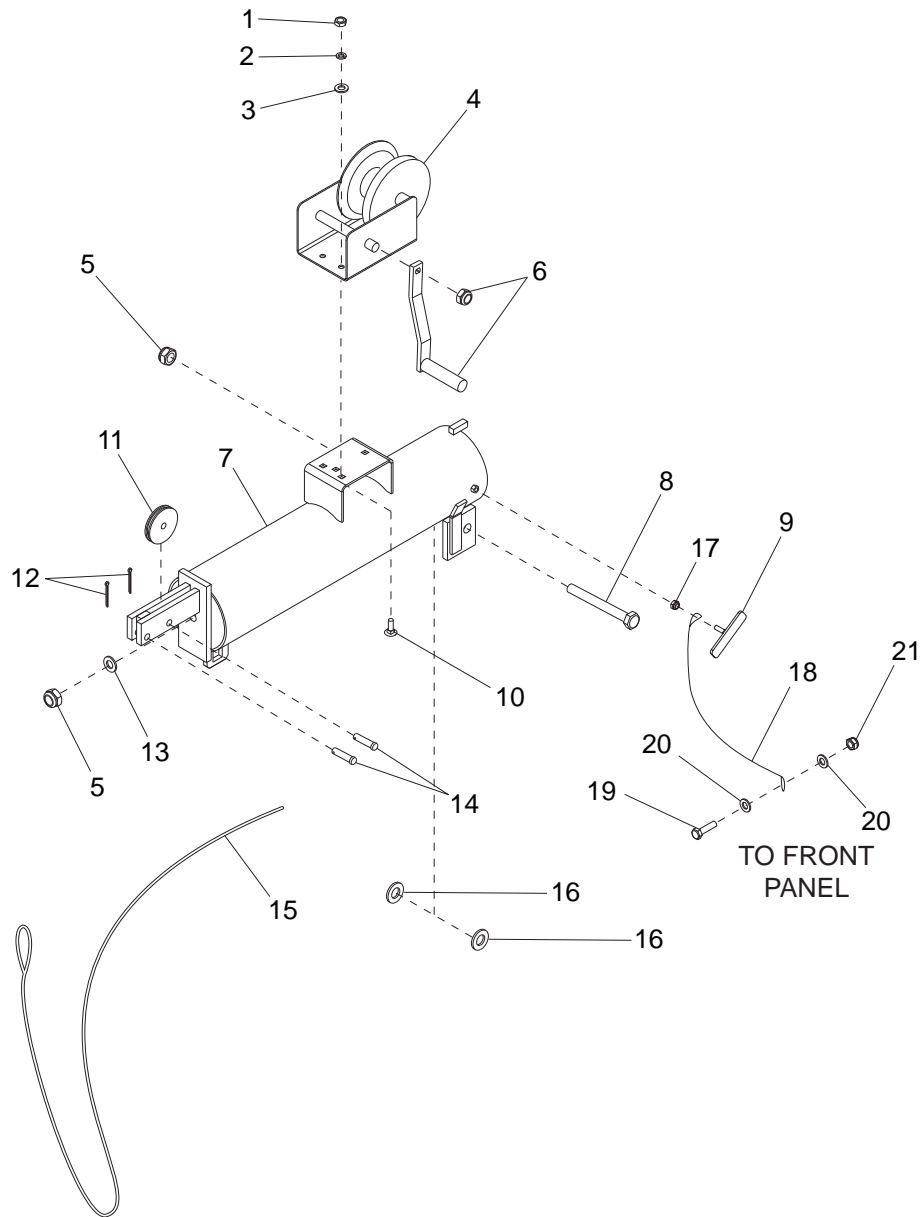
MAIN MAST ASSEMBLY



ITEM	PART	QTY	DESCRIPTION	NOTES
1	11954	1	COIL CORD, Mast	
2	60140	3	NUT, Hex .375-16 Grd 5	
3	60206	3	WASHER, .375 Split Lock Hardened	
4	60698	3	WASHER, Flat .375 SS	
5	16600	1	WINCH, Manual 1500Lb w/o Handle	
6	15623	1	WINCH HANDLE 9"	
7	61180	4	SCREW, 10-32X.750 Pan Phil 18-8 SS	
8	16143	4	CLAMP, Tubing .500	
9	60061	4	NUT, 10-32 Grd 5	
10	60658	3	SCREW, Carr .312-16X1.00 Grd 5	
11	11933AF*	1	WELDMENT, Mast 4"	
12	60701	2	WASHER, Lock .312 SS	
13	60687	2	SCREW, Hex.312-18X.750 SS	
14	15861	1	NUT .500 Npt Special	
15	14439	1	STRAIN RELIEF, .500 Water Tight	
16	15380	3	PIN, Cotter .125X1.250	
17	14262	2	SHEAVE, 3 In.	
18	15006	1	CABLE, .188x27Ft Galv. St w/Ball	
19	15014	4	SHIM, 2X3X.281	
20	60693	16	SCREW, Pan 10-24X.375 Phil SS	
21	15015	3	CLEVIS, Pin .500IN Dia. X 1.250	
22	14151	1	CABLE, .188 InX11Ft Stl w/Ball	
23	15013	4	SHIM, 2X2X.344	
24	15002	2	CLAMP, Cable	
25	15003	1	THIMBLE, Cable	
26	11934AF*	1	WELDMENT, Mast 3"	
27	16257AF*	1	WELDMENT, Mast 2"	

* AF = Gray
 AFG = Green
 AFT = Tan

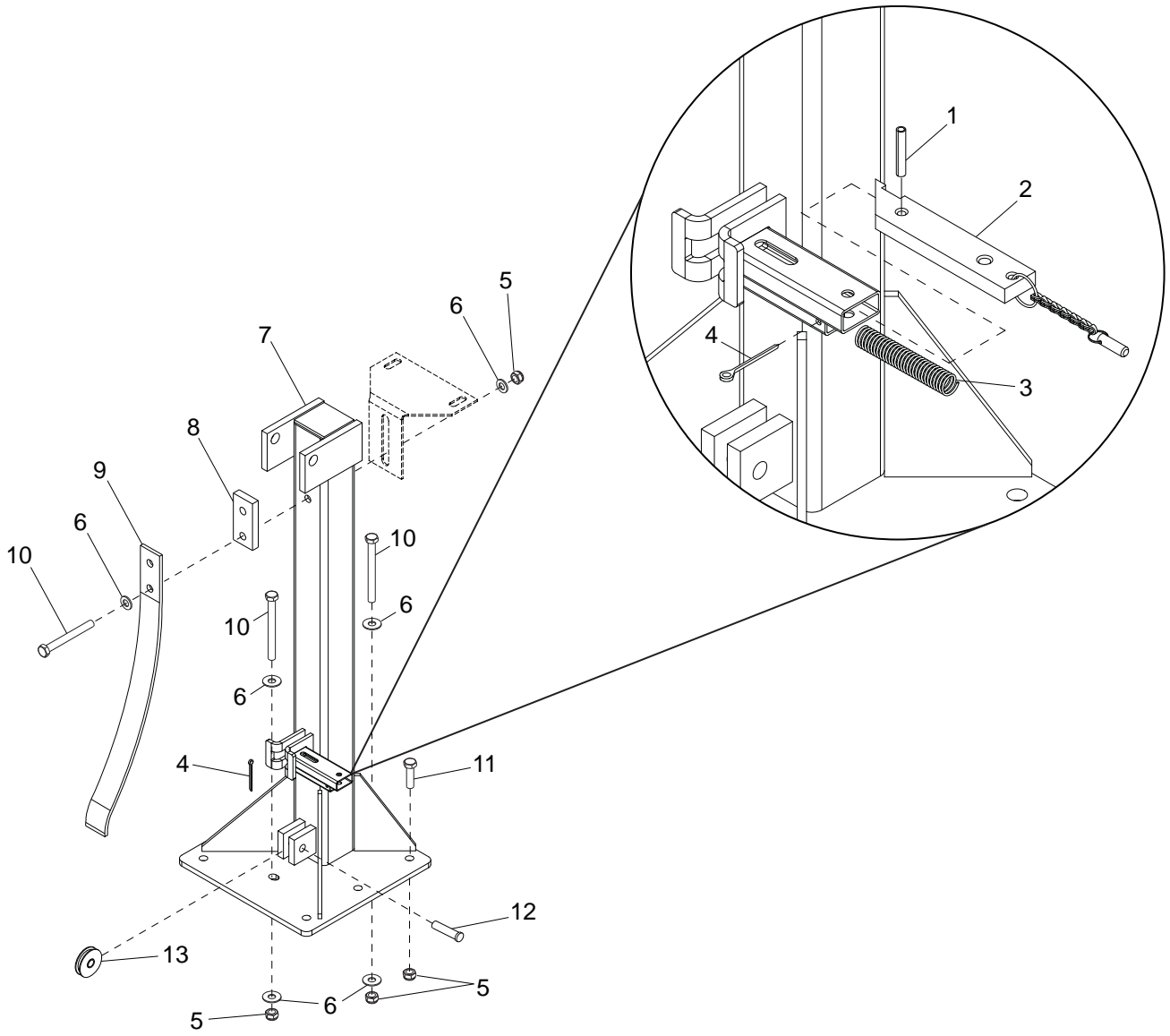
MAST TUBE ASSEMBLY



ITEM	PART	QTY	DESCRIPTION	NOTES
1	60140	3	NUT, Hex .375-16 Grd 5	
2	60206	3	WASHER, .375 Split Lock Hardened	
3	60698	3	WASHER, Flat .375	
4	16600	1	WINCH, Manual 1500 Lbs No Handle	
5	60584	2	NUT, .750-10 Nylk G5 Yellow Zinc	
6	15623	1	HANDLE, Winch 9"	
7	11902AF*	1	WELDMENT, Mast Tube	
8	15292	1	SCREW, Hex .750X6.5 SS	
9	11649Z	1	WELDMENT, T-Bolt	
10	60658	3	SCREW, .375-16X1.00 Carr Sqr Grd 5 ZC	
11	14262	1	SHEAVE, 3IN	
12	15380	2	COTTER PIN .125X1.250	
13	60247	1	WASHER, Flat.750	
14	15015	6	PIN, Clevis .500X1.250	
15	14798	1	CABLE, .188X16 FT w/Teardrop	
16	60744	2	WASHER, Flat Plst .750	
17	62079	1	NUT, .312-18 Nylock Jam	
18	13926	1	TETHER, Cable - 14.50 Long - .3125 Holes	
19	60684	1	SCREW, .250-20X.875 Std Hex 18-8 SS	
20	60696	2	WASHER, .250 Flat .625/.050 18-8 SS USS	
21	60144	1	NUT, .250-20 Nylock G5 ZC	

* AF = Gray
 AFG = Green
 AFT = Tan

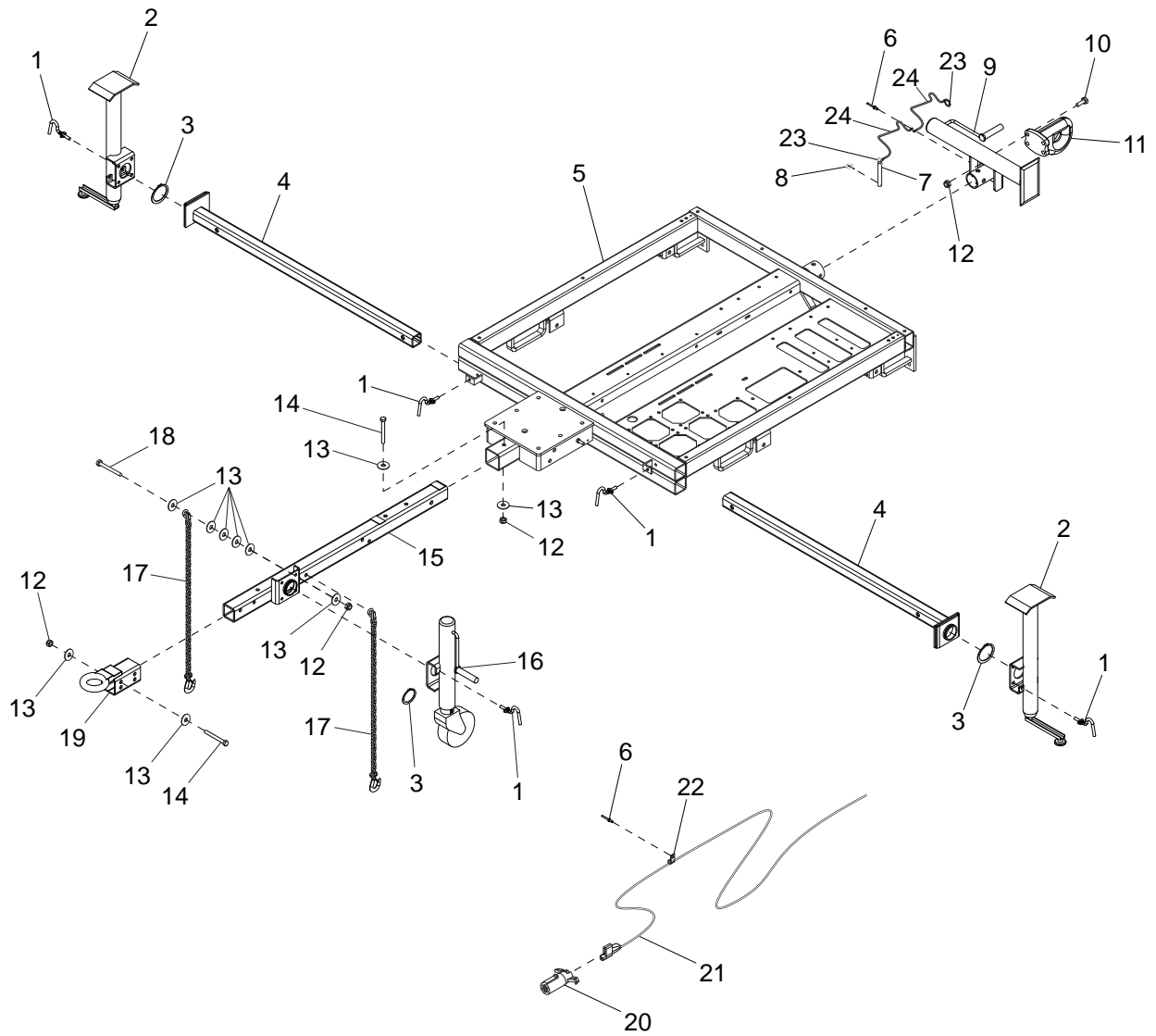
MAST POST ASSEMBLY



ITEM	PART	QTY	DESCRIPTION	NOTES
1	15165	1	PIN, Roll .250X1.250	
2	11215	1	ASSEMBLY, Latch Bar	
3	14275	1	SPRING, Compression .60X.250	
4	15380	2	PIN, Cotter .125X1.250	
5	60307	10	NUT, .500X13 Nylk Grd 5	
6	60700	20	WASHER, Flat .500 SS	
7	11057AF*	1	WELDMENT, Mast Post	
8	11554Z	1	SPACER PLATE, Kickback Spring	
9	14845B	1	SPRING, Kickback 50 Lb.	
10	60732	4	SCREW, Hex .500-13X5.5	
11	60683	6	SCREW, Hex .500-13X1.500 SS	
12	15015	1	PIN, Clevis .500 DIAX1.25	
13	14261	1	SHEAVE - 2IN	

* AF = Gray
 AFG = Green
 AFT = Tan

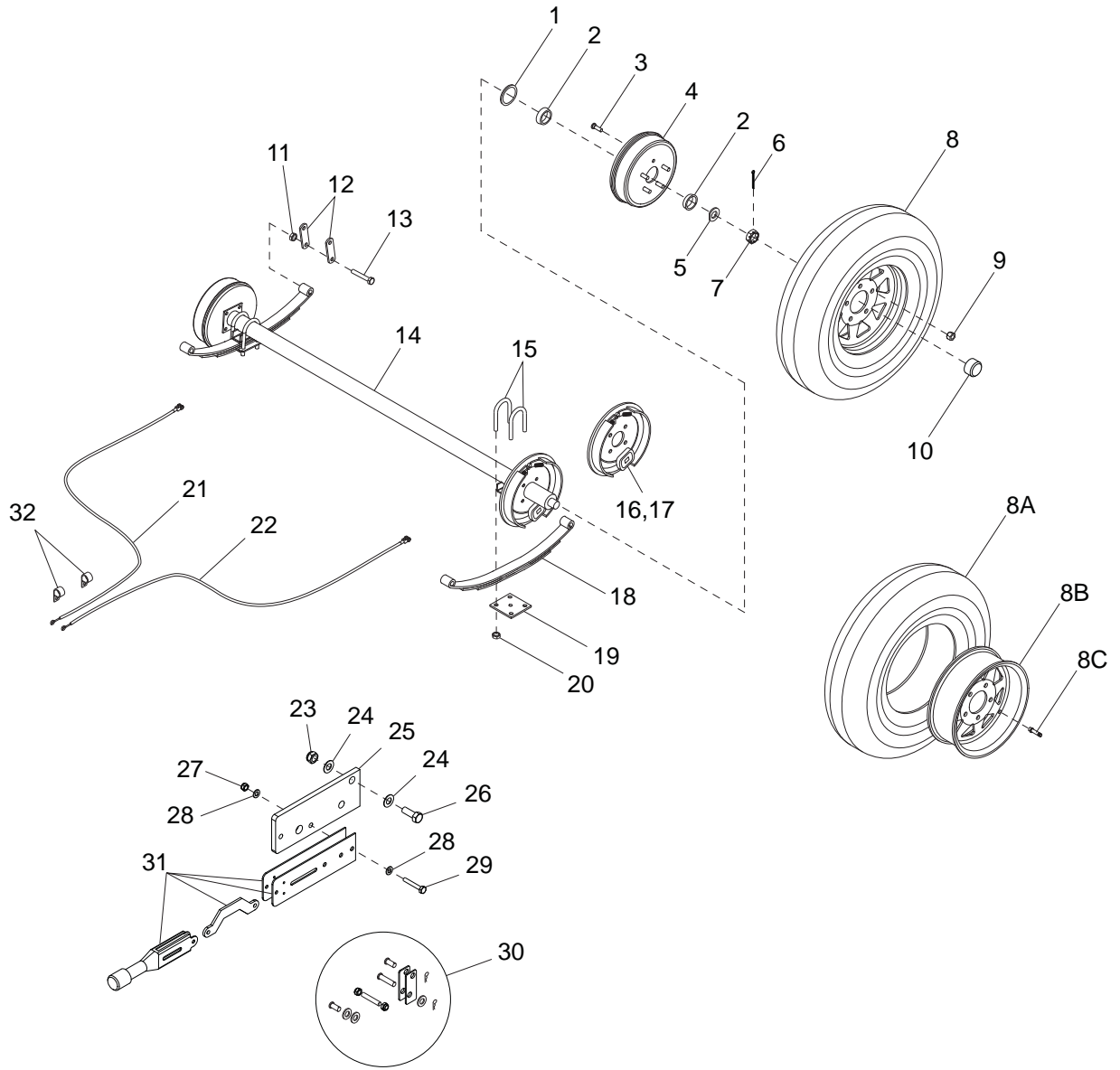
FRAME ASSEMBLY



ITEM	PART	QTY	DESCRIPTION	NOTES
1	14324	5	KIT, Plunger	
2	13333	2	JACK, Top wind 2000 Lb	
3	14326	3	RING, Retaining	
4	12408Z	2	WELDMENT, Outrigger	
5	13302B	1	WELDMENT, Chassis	
6	60231	4	RIVET, .188 DIA X .375-.500	
7	62011	1	PIN, Tube Mount Jack - .625X5.50 ZC	
8	62010	1	PIN, Lunch - .188 DIA	
9	10736	1	JACK, Side Wind - 2000 Lb - Tube Mt	
10	60683	4	SCREW, Hex .500-13X1.500 SS	
11	13304AF*	1	PINTLE HOOK - 1.875 dia Lunette	20 Ton
12	60307	9	NUT, Nylk .500-13 Grd 5	
13	60700	18	WASHER, Flat .500 SS	
14	60692	3	SCREW, Hex .500-13X4.00 SS	
15	12420AF*	1	WELDMENT, Removable Tongue	Shipping
16	13334	1	JACK, Wheel 2000 lb	
17	23367	2	CHAIN SAFETY - 7,800 Rated	
18	60691	2	SCREW, Hex .500-13X4.500 SS	
19	19335B	1	COUPLER, Lunette Ring - 3.00 ID	20000 LbAdjustable
20	65464	1	ADAPTER, Trailer Wiring	Flat 4 to Round 7
21	12498	1	PLUG, Trailer - 4 Conductor X 180	
22	16143	3	CLAMP, Tubing - .500	
23	60706	2	RING, Split - 1.00 SS	
24	19211	2	TETHER, Cable - 10.50 Long	

* AF = Gray
 AFG = Green
 AFT = Tan

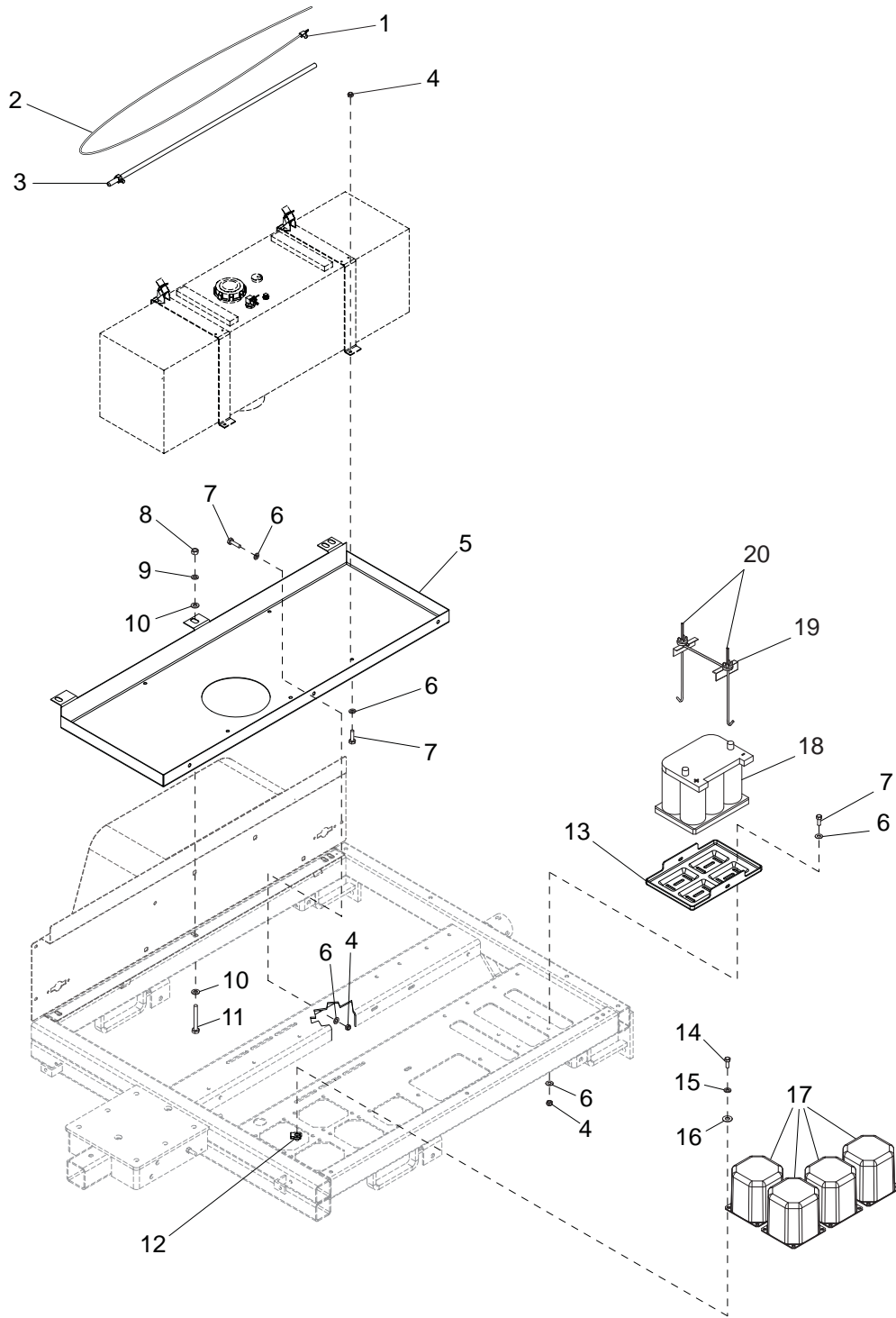
AXLE ASSEMBLY



ITEM	PART	QTY	DESCRIPTION	NOTES
1	12307	2	SEAL, Axle Bearing	
2	11511	4	BEARING, Axle Roller	
3	60674	10	STUD, Wheel .500-20, Grd 8	
4	12311	2	DRUM, Brake Axle 10" 5 On 4.5" w/Studs	
5	12309	2	D-WASHER, Axle	
6	60131	2	PIN, Cotter .125X2.00	
7	12308	2	NUT, Axle Spindle	
8	13322AF*	2	WHEEL, P205X75D15C 15X5 Spoke Rim	
8A	13979	2	TIRE, Kenda K550 6Ply ST205/75 D-15C	
8B	13490AF*	2	RIM, 15 Inch	
8C	13980	2	STEM, Valve	
9	60096	10	NUT, wheel Lug 0.500-20	
10	11253	2	CAP, Grease w/Rubber Plug	
11	60504	2	NUT, Hex .562-18 Grd 5	
12	19637	4	PLATE, Shackle Bracket	
13	60503	2	SCREW, Shackle Bracket .562-18X3.00	
14	13347	1	AXLE, 2200 Lb	
15	11277	4	U-BOLT, Axle	
16	26443	1	ASSY, Plate Backing Complete RH w/Brakes	
17	26442	1	ASSY, Plate Backing Complete LH w/Brake	
18	16679	2	SPRING, Axle 2200 Lb.	
19	11278	2	TIE-PLATE, Axle	
20	11279	8	NUT, Hex U-Bolt	
21	12241	1	CABLE, Brake 84 In.	
22	12242	1	CABLE, Brake 72 In.	
23	60307	1	NUT, Nylk .500-13 SS	
24	60700	2	WASHER, Flat .500 SS	
25	12217B	1	BRACKET, Brake Lever Mtg.	
26	60683	1	SCREW, Hex .500-13X1.50 SS	
27	60303	2	NUT, Nylk .312-18 Grd 5	
28	60119	4	WASHER, Flat .312 SS	
29	60785	2	SCREW, Hex .312-18X2.00	
30	12240	1	KIT, Brake Handle Hardware	
31	12239	1	HANDLE, Brake	
32	60649	2	CLAMP, Tubing - .750 Heavy Duty	

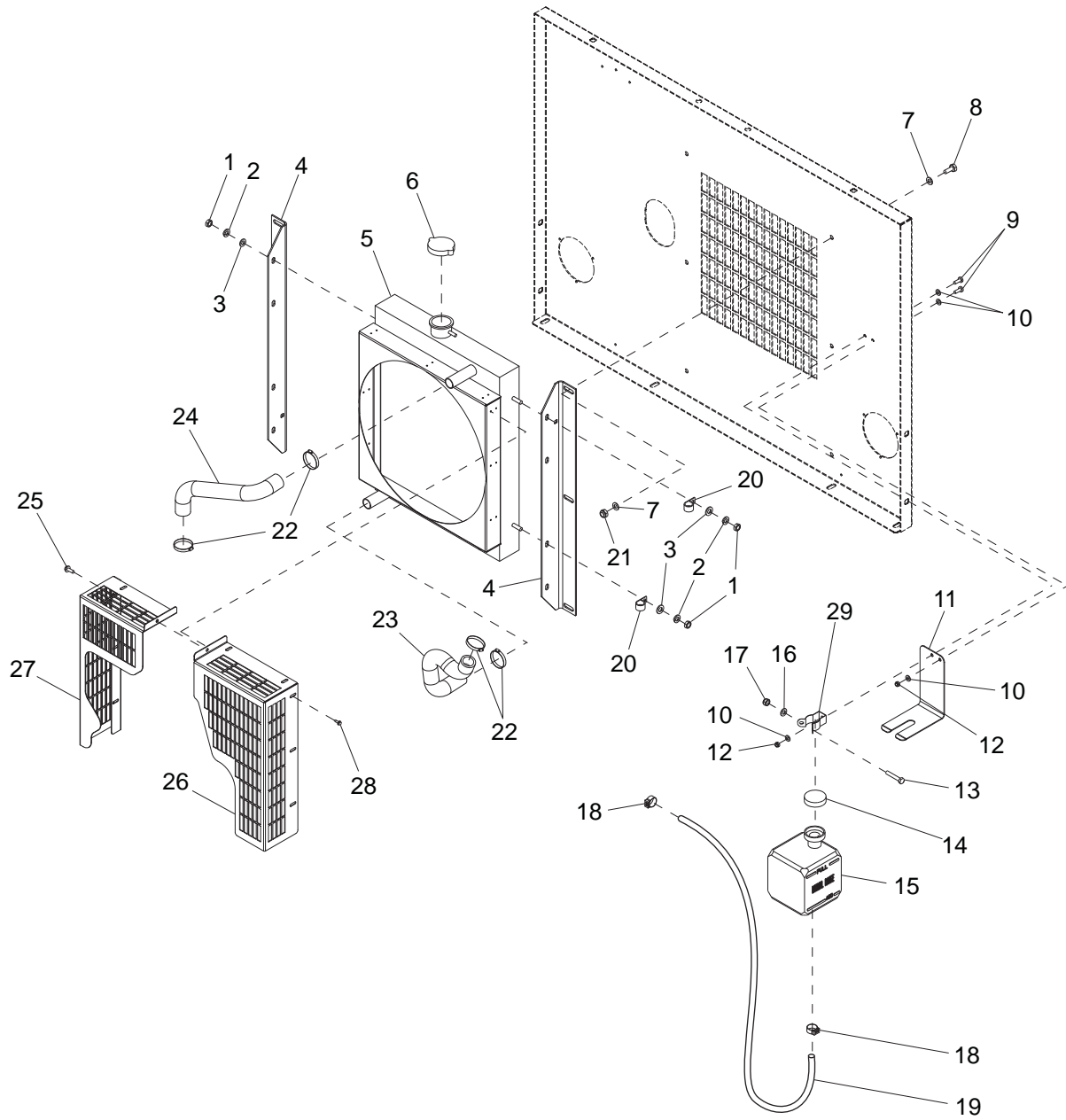
* AF = Gray
 AFG = Green
 AFT = Tan

CHASSIS ASSEMBLY



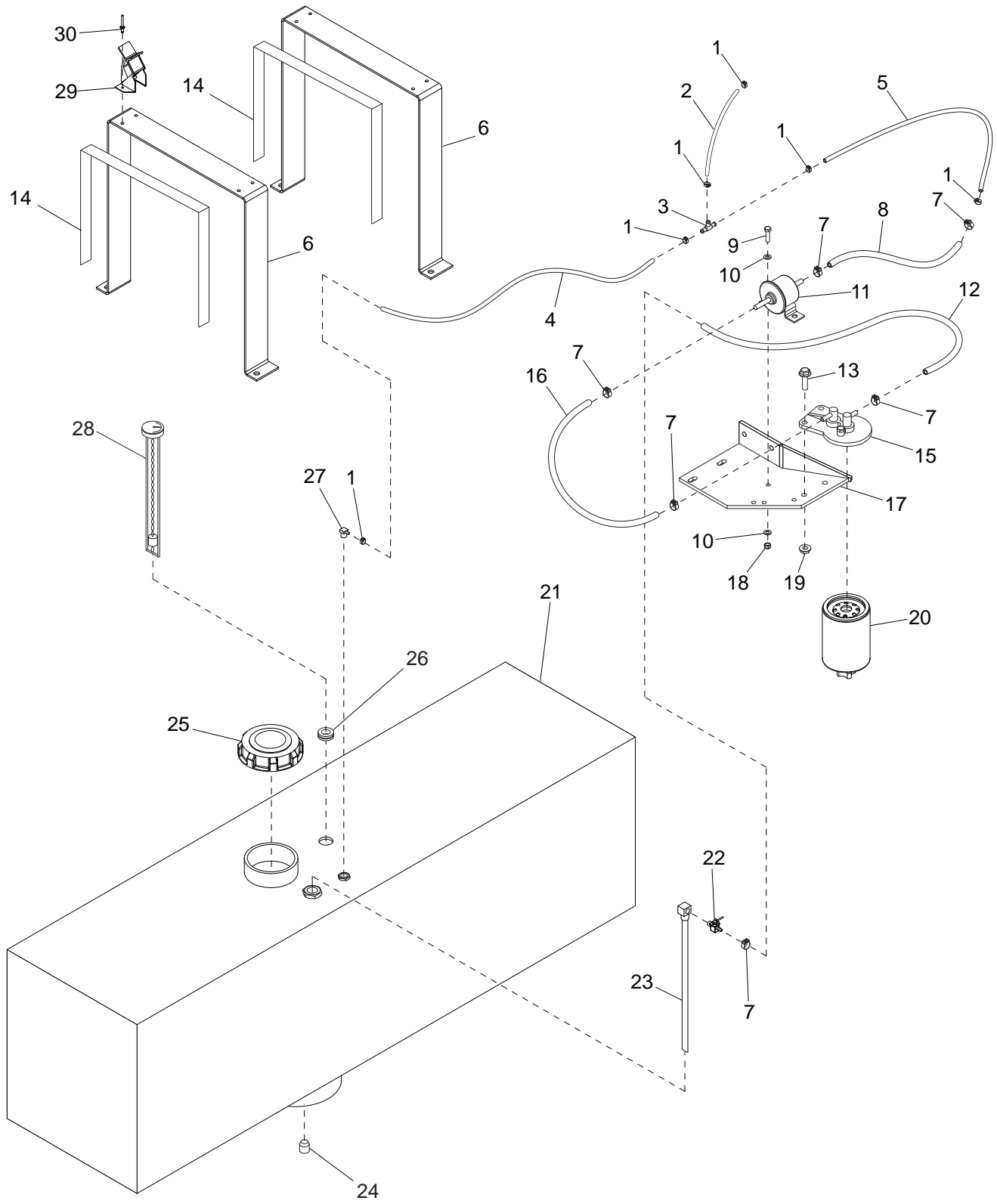
ITEM	PART	QTY	DESCRIPTION	NOTES
1	14461	1	GROUND Clamp 1/2IN	
2	13488	1	ASSY, Ground Rod Wire	
3	10102	1	GROUND ROD - .625Dia X 4 ft.	
4	60303	11	NUT, Nylk .312-18 Grd 5 ZC	
5	12358B	1	PAN, Fuel Tank - Flat Frame	
6	60340	18	WASHER, .312 Flat SS	
7	60507	11	SCREW, .312-18X1.00 Std Hex 18-8 SS	
8	60140	3	NUT, Hex .375-16 Grd5 ZC	
9	60703	3	WASHER, .375 Split Lock SS	
10	60698	6	WASHER, .375 Flat SS	
11	60689	3	SCREW, .375-16X4.000 Hex SS	
12	62086	16	NUT, .312-18 U-Clip PO Spring Steel	
13	14145	1	TRAY, Battery	
14	60620	16	SCREW, .250-20x1.000 Hex SS	
15	60704	16	WASHER, .250 Split Lock SS	
16	60696	16	WASHER, .250 Flat SS	
17	13301	4	ASSY, Transformer - Can and Base	
18	65358	1	BATTERY, 12V GRP75/25 720CCA Gel	
19	14682	1	BRACKET, Battery Hold-Down	
20	60820	1	BOLT, J- .250 x 9.00 ZP	

COOLING SYSTEM ASSEMBLY



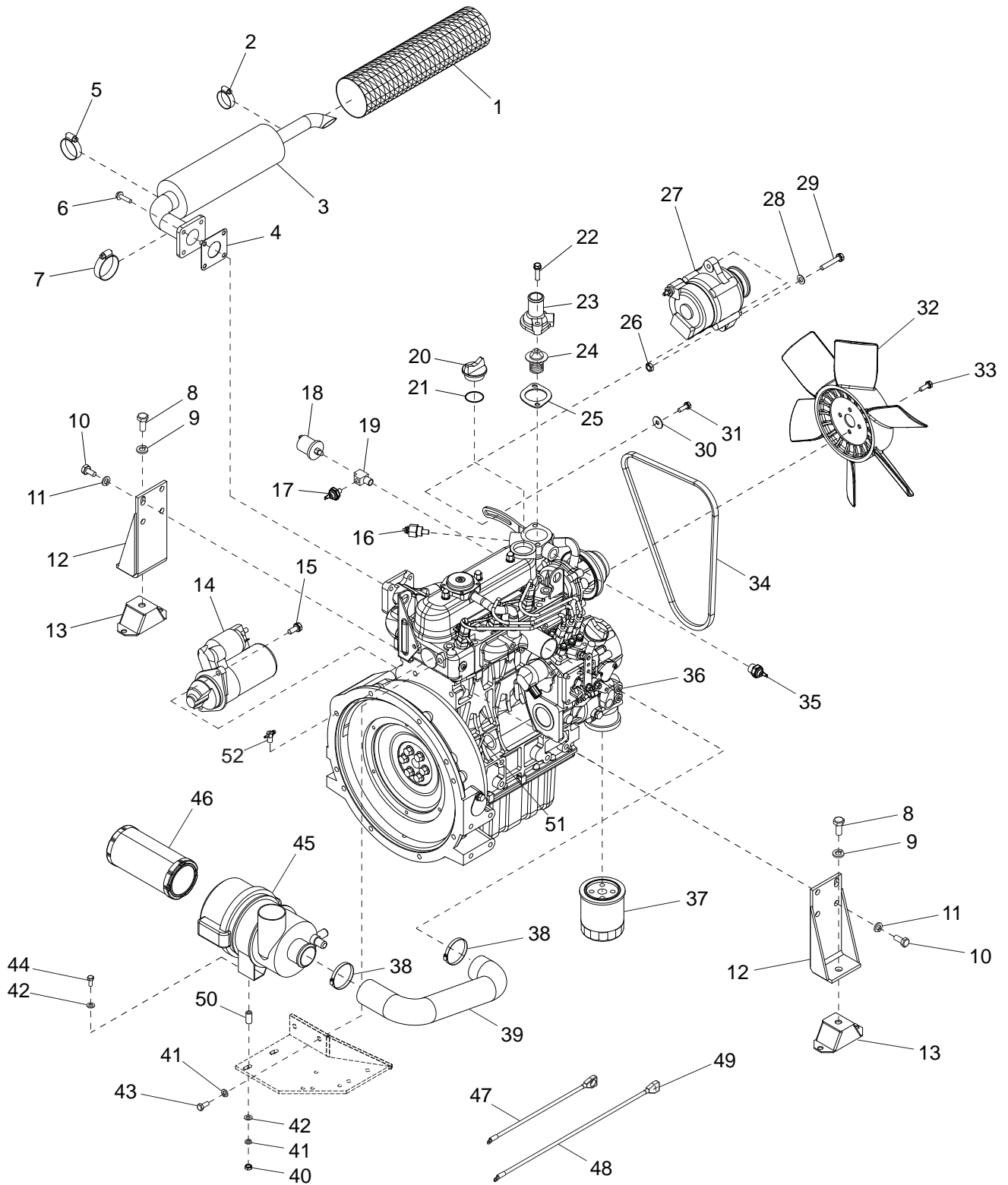
ITEM	PART	QTY	DESCRIPTION	NOTES
1	60342	4	NUT, Hex M8-1.25 Grd 8 ZC	
2	60341	4	WASHER, M8 Split Lock	
3	60444	4	WASHER, M8 Flat SS	
4	11683B	2	BRACKET, Radiator	
5	11768	1	RADIATOR, w/Shroud	
6	19219	1	CAP, Radiator, Small 14Lbs	
7	60698	12	WASHER, Flat.375, SS	
8	60690	6	SCREW, .375 16X1.00 SS	
9	60398	2	SCREW, Pan 10-32X.5 Phil SS	
10	60067	4	WASHER, Flat #10 SS	
11	22419B	1	BRACKET, Support	
12	60061	2	NUT, 10-32 Nylk Grd 5 ZC	
13	60518	1	SCREW, .250X20X1.50 Hex G5	
14	19714	1	CAP, Overflow Bottle	
15	20287	1	BOTTLE Overflow 2 QT	
16	60696	1	WASHER, Flat .250 SS	
17	60144	1	NUT, Nylk .250-20	
18	60777	2	CLAMP, Hose - .312 Crimp Style	
19	19220	1	HOSE, Overflow 3 Feet	
20	15627	2	CLAMP, Tube .625 Heavy Duty	
21	60358	6	NUT, .375-16 Nylk Grd 5 ZC	
22	19338	4	CLAMP, Hose SAE 016 (.68-1.50)	
23	12350	1	HOSE, Lower Radiator	
24	16687	1	HOSE, Upper Radiator	
25	60175	1	SCREW, Hex Sflg .250-20X.50 G5	
26	13351B	1	GUARD, Fan RH Kubota	
27	13352B	1	GUARD, Fan LH Kubota	
28	60364	10	SCREW, Hex .10-16X.500 Self Tap	
29	19726	1	CLAMP, Overflow Bottle	

FUEL TANK AND FILTER ASSEMBLY



ITEM	PART	QTY	DESCRIPTION	NOTES
1	60778	6	CLAMP, Hose .188 Crimp Style	
2	16871	1	HOSE, Fuel .188 ID, 3 IN	
3	17145	1	FITTING, T-.188x.188x.188 Nylon	
4	14211	1	HOSE, Fuel .188 ID, 30 IN	
5	16870	1	HOSE, Fuel .188 ID, 13 IN	
6	13408B	2	BRACKET, Fuel Tank	
7	60777	6	CLAMP, Hose .312 Crimp Style	
8	16869	1	HOSE, Fuel .312 ID, 10 IN	
9	60393	2	SCREW, .250-20X1.000 Std Hex	
10	60696	4	WASHER, Flat .250 SS	
11	13278	1	PUMP, Fuel Electric	
12	50018	1	HOSE, Fuel .312 ID, 27 IN	
13	60160	2	SCREW, M8-1.25X30 Sflg Hex G8.8	
14	50187	2	SEAL, Door D-Shaped (.750, 3 ft.)	
15	13580	1	FILTER HEAD, Fuel	
16	16232	1	HOSE, Fuel .312 ID 13 IN	
17	13483B	1	WELDMENT, Filter Bracket	
18	60144	2	NUT, Nylk .250-20 Grd 5	
19	60020	2	NUT, M8-1.25 Sflg G8.8 Lock	
20	13517	1	ELEMENT, Fuel Filter - Water Separator	
21	13316	1	ASSY, Fuel Tank	
22	15397	1	VALVE, .25NPTX.312 Hose Barb	
23	13500	1	FUEL PICK-UP TUBE 13 IN	
24	60776	1	FITTING, Plug .250NPT Flush	
25	12137	1	CAP, 3.5 Inch Fuel Tank w/Lanyard	
26	13578	1	GROMMET, Rubber	
27	16271	1	FITTING, 90-.250X.250NPT X .188 Barb	
28	13577	1	GAUGE, Mechanical Fuel	
29	61160	2	HOLDER, Spring Clip Tool	
30	60268	4	RIVET, .188 Dia X .126 to .250 Grip SSB6-4S	

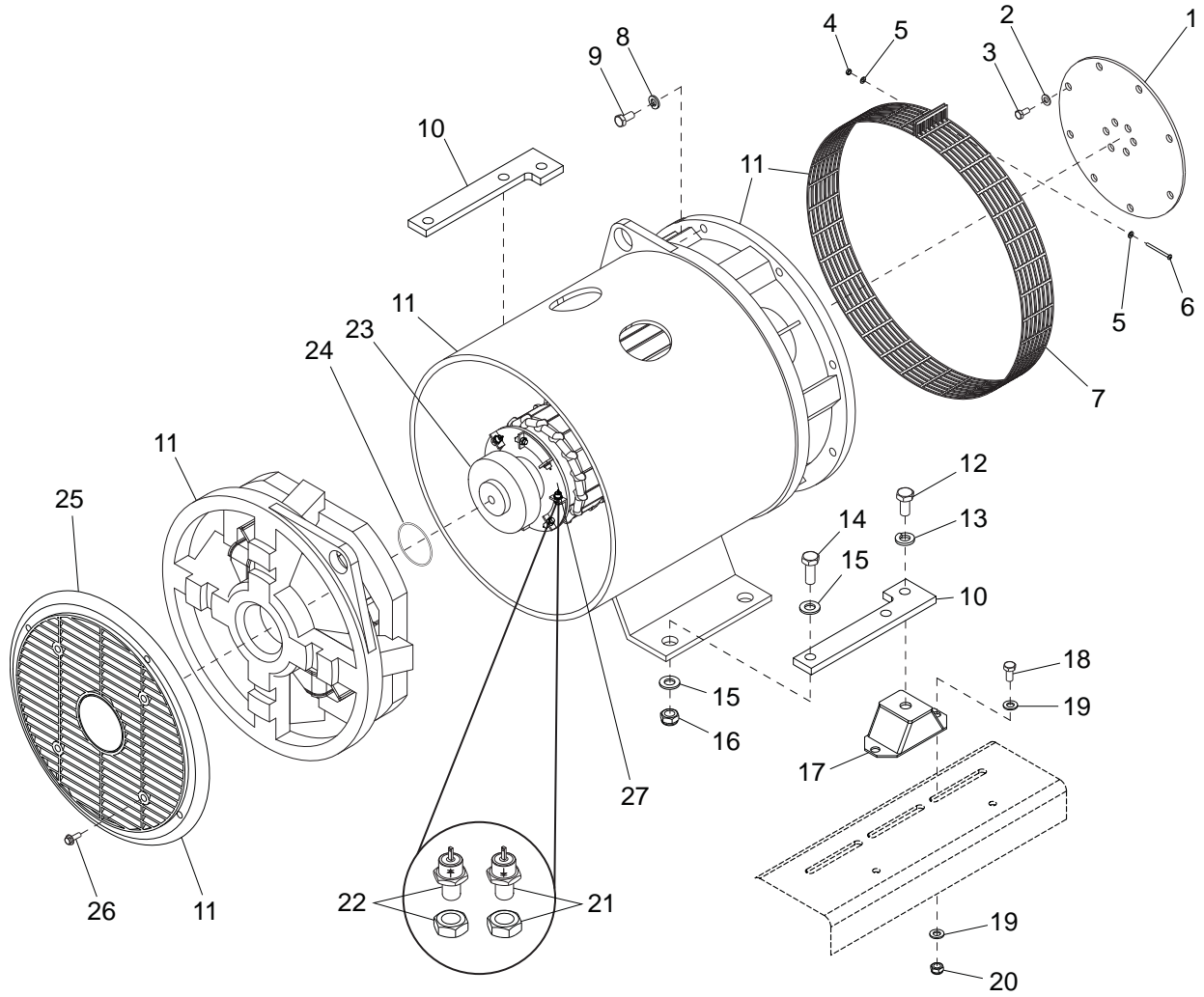
ENGINE ASSEMBLY



ITEM	PART	QTY	DESCRIPTION	NOTES
1	26480	1	SLEEVE, High Temperature 4"x30"	
2	19338	1	CLAMP, Hose SAE 016 (.68-1.50)	
3	13709	1	MUFFLER, Kubota 30 deg flare	
4	11042	1	GASKET, Exhaust	
5	15422	1	CLAMP, Hose SAE 020 (.75-1.75)	
6	60238	4	SCREW, Hex M8-1.25x40 Sflg Grd 8.8 ZC	
7	60316	1	CLAMP, Hose SAE 032 (1.56-2.50)	
8	60275	2	SCREW, Hex .500-13x1.00 Grd 5 ZC	
9	60702	2	WASHER, Split Lock .500 SS	
10	60494	8	SCREW, M10-1.50X30 Hex G8.8 ZC	
11	60026	8	WASHER, Split Lock M10 ZC	
12	12338B	2	WELDMENT, Engine Mount, Kubota	
13	15241	2	COMPRESSION MOUNT, Engine/Generator	
14	10773	1	STARTER, Kubota	
15	10756	2	BOLT, Starter	
16	12873	1	SENDER, Coolant Temp - .375NPT (Kubota)	
17	15375	1	SWITCH, Oil Pressure - Kubota	
18	18106	1	SENDER, Oil Pressure	
19	60735	1	FITTING, Tee Strt -.125NPT BRS	
20	10757	1	CAP, Oil Filler - Kubota	
21	10758	1	O-RING, Oil Filler Cap - Kubota	
22	10759	2	BOLT, Thermostat	
23	10760	1	COVER, Thermostat	
24	12488	1	THERMOSTAT ASSY - Kubota	
25	12489	1	GASKET, Thermostat - Kubota	
26	10761	1	NUT	
27	12486	1	ALTERNATOR - Kubota	
28	10762	1	WASHER, Plain	
29	10763	1	BOLT	
30	10764	1	WASHER, Alternator	
31	10765	1	BOLT	
32	15495	1	FAN, Pusher - Kubota	
33	10766	4	BOLT, Flange	
34	11628	1	V-BELT - Kubota	
35	14099	1	SWITCH, Coolant Temperature - Kubota	
36	13310	1	ENGINE, Kubota D1005-E3BG1-MGM-1	
37	10775	1	OIL FILTER - Kubota	
38	60316	1	CLAMP, Hose - SAE 032 (1.56-2.50)	
39	16589	1	HOSE, Air cleaner	
40	60285	2	NUT, Hex .312-18 Grd 5 ZC	
41	60029	2	WASHER, Split Lock, M8 ZC	
42	60243	4	WASHER, Flat .250 ZC	
43	61082	2	SCREW, Hex M8-1.25X20 Grd 8.8 ZC	
44	61061	2	SCREW, Hex .312-18X.875 Grd 5 ZC	
45	16443	1	AIR FILTER ASSY - Kubota	
46	16444	1	AIR CLEANER ELEMENT - Kubota	
47	15073	1	CABLE, Battery - 24" 4GA Blk 7/16" Lug	
48	15074	1	CABLE, Battery - 38" 4GA Red 7/16" Lug	
49	10353	1	BOOT, Battery - Red, 2 GA Top Post	
50	41235B	2	SPACER - .75 OD X .375 ID X 1.00 Long	
51	12483	1	OIL DIPSTICK - Kubota	
52	13526	1	JOINT EYE, double port, Kubota	

Note: Engine and generator parts used in all Magnum Products LLC equipment carry the Original Equipment Manufacturer (OEM) warranty unless otherwise stated. OEM warranty parts must be purchased through an OEM dealer. Please contact Magnum Products LLC with questions.

GENERATOR ASSEMBLY



ITEM	PART	QTY	DESCRIPTION	NOTES
1	16123	1	PLATE, Drive SAE 6.5	
2	60119	8	WASHER, Flat .312	
3	60168	8	SCREW, Hex .312-18 x .750	
4	60284	1	NUT, Hex .250-20 Grd 5	
5	60243	2	WASHER, Flat .250	
6	60143	1	SCREW, Phil .250-20 x2.00	
7	13618	1	MARATHON Fan Guard Screen	
8	60206	8	WASHER, Lock .375	
9	60352	8	SCREW, Hex .500-13x1.00 Grd 5	
10	11975B	2	PLATE, Generator Adapter	
11	13280	1	GENERATOR	
12	60275	2	SCREW, Hex .375-16 x 1.25	
13	60702	2	WASHER, Lock .500 SS	
14	60683	2	SCREW, Hex .50-13 x 1.5 SS	
15	60699	4	WASHER, Flat .500 SS	
16	60680	2	NUT, .500-13 Nylk SS	
17	15241	2	COMPRESSION, Mount	
18	60690	4	SCREW, Hex .375-16 x 1.00 SS	
19	60698	8	WASHER, Flat .375 SS	
20	60140	4	NUT, Hex .375-16 Grd 5	
21	13621	3	MARATHON Diode Forward	
22	10767	3	MARATHON Diode Reverse	
23	10768	1	MARATHON Bearing	
24	11337	1	GENERATOR O-Ring-Marathon	
25	13620	1	MARATHON Intake Cover	
26	10769	4	SCREW, M6-1.00X8 Phil Grd 8	
27	19675	1	RECTIFIER, Generator (280 Frame)	

Note: Engine and generator parts used in all Magnum Products LLC equipment carry the Original Equipment Manufacturer (OEM) warranty unless otherwise stated. OEM warranty parts must be purchased through an OEM dealer. Please contact Magnum Products LLC with questions.

REV: A
PART NO: 10922
01.17.11